

*HANG GLIDER*  
*COMBAT-2*  
*COMBAT-L*

---

*OWNER/SERVICE MANUAL*



Size: \_\_\_\_\_

Date of production:

\_\_\_\_\_

Serial number:

\_\_\_\_\_

Manufactured by:

AEROS Ltd.,  
Post-Volynskaya St. 5.,  
Kiev, 03061,  
UKRAINE

Tel: (380 44) 455 41 18

Fax: (380 44) 455 41 16

E-mail: [aerosint@aerosint.kiev.ua](mailto:aerosint@aerosint.kiev.ua), <http://www.aeros.com.ua>

# Combat Owner / Service Manual

## Table of Contents

<i>Introduction.....</i>	2
<i>Technical information and operating limitations .....</i>	2
<i>Combat reassembly after shipping procedure .....</i>	3
<i>Combat breakdown procedure .....</i>	4
<i>Combat set-up procedure .....</i>	4
<i>Preflight procedure.....</i>	9
<i>Laying the glider for shipping procedure.....</i>	10
<i>Launching and flying the Combat .....</i>	11
<i>Aerotowing .....</i>	11
<i>Using the VG system.....</i>	12
<i>Landing the Combat .....</i>	12
<i>Combat breakdown .....</i>	13
<i>Removing the sail from the airframe and re-installing.....</i>	15
<i>Re-installing the sail on the frame.....</i>	15
<i>Combat stability systems.....</i>	16
<i>Maintenance.....</i>	17
<i>Glider tuning.....</i>	19
<i>In closing - a few final words on your safety.....</i>	24
<i>BHPA AIRWORTHINESS STANDARDS</i>	
<i>BHPA Combat L 13 COMPLIANCE VERIFICATION SPECIFICATION SHEET.....</i>	25
<i>BHPA AIRWORTHINESS STANDARDS</i>	
<i>BHPA Combat L 14 COMPLIANCE VERIFICATION SPECIFICATION SHEET.....</i>	26
<i>BHPA AIRWORTHINESS STANDARDS</i>	
<i>BHPA Combat L 15 COMPLIANCE VERIFICATION SPECIFICATION SHEET.....</i>	27
<i>SCHEMES.....</i>	28

## INTRODUCTION

Thank you for purchasing an Aeros glider.

**The Combat-2 / Combat L** (hereinafter **Combat**) hang glider is an advanced product of **Aeros Ltd.** It is aimed at improvement of the modern competitive glider with very high performance combined with maximum safety and comfort.

Please read and be sure you thoroughly understand this manual before flying your **Combat**. Be sure you are thoroughly familiar with the set up, break down, preflight and maintenance procedure as described in this manual.

If you have access to the Internet, please visit us regularly at <http://www.aeros.com.ua>

***In case of any doubts or questions contact your local dealers or Aeros.***

We wish you a safe and enjoyable flying career.

Aeros Ltd.

## TECHNICAL INFORMATION AND OPERATING LIMITATIONS

The Combat has been designed for foot launched soaring flight. It has not been designed to be motorized, tethered, or towed. However it can be towed successfully using proper procedures.

Flight operation of the Combat should be limited to non-aerobatic maneuvers; those in which the pitch angle will not exceed 30 degrees nose up or nose down from the horizon, and the bank angle will not exceed 60 degrees.

	Combat L13		Combat L14		Combat L15	
Sail area, sq.m. (sq. ft.)	13,7	(145)	14,2	(153)	14,7	(158)
Wing span, m (ft.)	10,35	(33,93)	10,7	(35,1)	10,7	(35,1)
Aspect ratio	7,9		8,06		7,8	
Nose angle, °	129-131		129 – 131		129-131	
Pilot clip weight optim., kg (lb)	85	(187)	95	(209)	100	(220)
Weight (without bags), kg (lb)	34,5	(77)	35,9	(79)	36	(80)
Number of upper sail battens	24		24		24	
Number of bottom sail battens	6		6		6	
Breakdown length, m (ft.)	3,9 / 5,8	(12.8 / 19)	4,1 / 5,9	(13.4 / 19.3)	4,1 / 5,9	(13.4 / 19.3)
Tested load, G	+ 6 / - 3		+ 6 / - 3		+ 6 / - 3	
Wind speed max, m/sec (mph)	12	(27)	12	(27)	12	(27)
Minimum airspeed with optimal pilot clip weight, km/h (mph)	29-31	(18-19)	29-31	(18-19)	29-31	(18-19)
Maximum airspeed with optimal pilot clip weight, km/h (mph)	110+	(69)	110+	(69)	110+	(69)
Minimum clip-in pilot weight, kg (lb)	75	(165)	85	(187)	90	(198)
Maximum clip-in pilot weight, kg (lb)	110	(243)	115	(254)	120	(265)

Aeros recommends that no attempt should ever be made to deliberately spin the glider.

The stability, controllability, and structural strength of a properly maintained Combat have been determined to be adequate for safe operation when the glider is operated within the entire manufacturer specified limitations. No warranty of adequate stability, controllability, or structural strength is made or implied for operation outside of these limitations.

Operation of the glider by unqualified pilots may be dangerous.

Operating the Combat outside of the above limitations may result in injury and death. Flying the Combat in the presence of strong or gusty winds, or turbulence may result in loss of control of the glider, which may lead to injury and death.

***Do not fly in such conditions unless you realize and wish to personally assume the associated risks.***

**ATTENTION! We do not recommend using Combat for motorized and aerobatic flights.**

***It requires recommended pilot proficiency not less than pilot rating +40 hours or equivalent Safe Pro rating to fly Combat.***

## COMBAT REASSEMBLY AFTER SHIPPING PROCEDURE

1. With the glider in the bag (4 meters long) lay the glider on the ground.
2. Unzip the bag. Undo the velcro straps. Remove the batten bag, the speedbar, the rear leading edge tubes # 3 and winglets from the bag.
3. Unfold the sail along the leading edge to its full length. Attach the rear leading edge tubes # 3 to the front leading edge tubes # 2 according to the marking (L-left, R-right, marks must be on top).

Working on one wing at a time, and working with the appropriate leading edge # 3, fold the outer sprog, which is attached to the rear leading edge, forward against the rear leading edge. Slide the inboard end of the leading edge tube # 3 into the sail.

Then slide the rear leading edge forward, allowing the sprog end to come outside the sail at the access zipper, and slide the rear leading edge into the front leading edge.

Align the rear leading edge properly so that the sprog bracket is on the inside of the leading edge, and slide the rear leading edge forward, rotating as necessary, until the button spring in the rear leading edge engages securely into the holes in the front leading edge. When the rear leading edge is fully engaged, you will not be able to rotate it (*Fig. 1*).



*Fig. 1*

4. Tighten the sail along the leading edge by putting the sail mount webbing into the slot in the end cap of the leading edge # 3.

**Note:** the sail mount screws on the front part of the leading edge tubes # 1 must be unscrewed, otherwise the excess sail tension will not allow tightening the sail. The sail mount screws have to be screwed back after you accomplish all steps in section "Combat set-up procedure" from item 1 through item 8.

5. Secure the sail mount webbing to the leading edge # 3 with the sail mount webbing velcro.

**Note:** When spreading the wings with the sail mount screws been unscrewed check that the sail mount webbing is in proper position in the slot of the end cap of the leading edge # 3.

6. Install the tip bags.

Put battens on top of the glider between Mylar pockets in the front part of the glider.

Place velcro ties around the glider.

Put the speedbar and winglets between leading edges in the rear part of the glider.

Put the glider bag back on and zip it up (*Fig. 2*).



*Fig. 2*

## COMBAT BREAKDOWN FOR SHIPPING PROCEDURE

This process will basically be the reverse of reassembling after breakdown for shipping. Before beginning, read through the section above on how to re-install the rear leading edges. While following the instructions below, refer to the photos in the section above for reference, if necessary.

1. Lay the glider on the ground or floor, unzip the bag and remove the velcro ties. Remove the speedbar and winglets from the glider. Remove the protection tip bags. The outboard sprog access zippers should be fully unzipped.
2. Check to see that the leading edges are marked "Left" and "Right". If they are not, mark them with an indelible marker.
3. Unscrew the sail mount screws from the leading edges # 1.
4. Undo the sail mount webbing velcro and remove the sail mount webbing from the leading edges end caps. With the outboard sprog folded towards the nose pull the rear leading edge straight aft while pressing the button spring in to disengage it from the front, and then slide it backward carefully out of the sail. Tape or pad the edges of the front end of the leading edge tubes # 3, and the rear of the leading edge tubes # 2 to prevent sail damage during transportation.
5. Carefully fold the rear of the sail over against the front, place velcro ties around the glider and put on the glider bag, turning the bag 180 deg (i.e. matching the front part of the bag to the rear part of the glider) (Fig.3).
6. Zip up the glider bag zipper.



Fig.3

## COMBAT SET-UP PROCEDURE

1. Lay the glider on the ground, with the bag zipper up, with the bag at right angle to the wind.
2. Undo the zipper, remove the speedbar and winglets from the glider.
3. Remove the speedbar from the bag, spread the uprights. Install the speedbar so that the offset of the speedbar is directed forward in the direction of flight. Attach the speedbar using the quick-pins. Pass the VG-rope through the cleat; make a knot on the end of the rope (Fig.4).



Fig.4

5. By lifting up and back on the nose batten strings, push the nose battens fully back into the sail so that the batten tips rest on top of the keel tube (Fig.5).

4. Flip the glider upright on the control bar. Try to set the basebar on level ground. Remove the glider bag and all velcro ties. Remove the batten bag with the battens from the front part of the glider. Spread the wings almost all the way, so that the sail is a little sagged and the glider is resting on the wing tips and on the keel tube.



Fig.5

6. Attach the ring of the bottom front wires to the hook on the bottom nose plate(Fig.6).

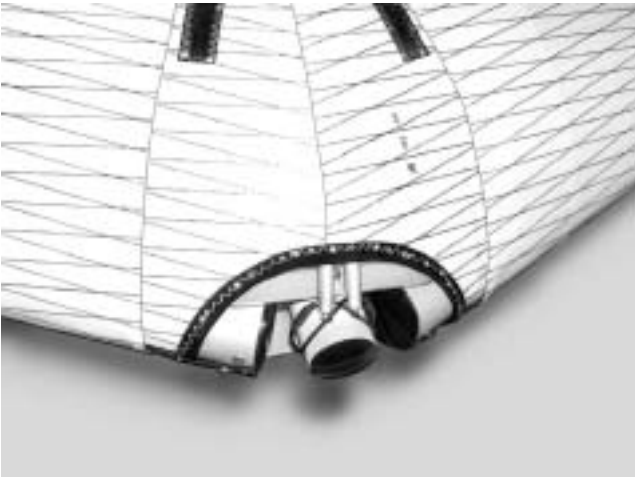


Fig.6



Fig.7

7. Turn the hang point spreader bar perpendicular to the keel tube (Fig.7).

8. Remove the battens from the batten bag, and check each batten for symmetry against the corresponding batten from the other wing. Align the battens at the nose, and at about the 60% chord point as shown. There should not be any deviation of more than 3mm (1/8") from one batten to the other along the full length of the battens (Fig.8).



Fig.8

Aeros convention is that green (blue) marked battens go in the left wing and red marked battens in the right.

Battens are numbered from the center outwards, and the longest batten in a Combat is designated as the "# 1" batten.

Install the cambered top surface battens in the sail, leaving out the shortest four on each side for now.

Install the lever batten tips into the hem of the trailing edge. At each batten, make sure the opening in the underside of the trailing edge hem is spread to accept the tab on the batten tip. Make sure the tab slides fully into the hem (Fig.9).

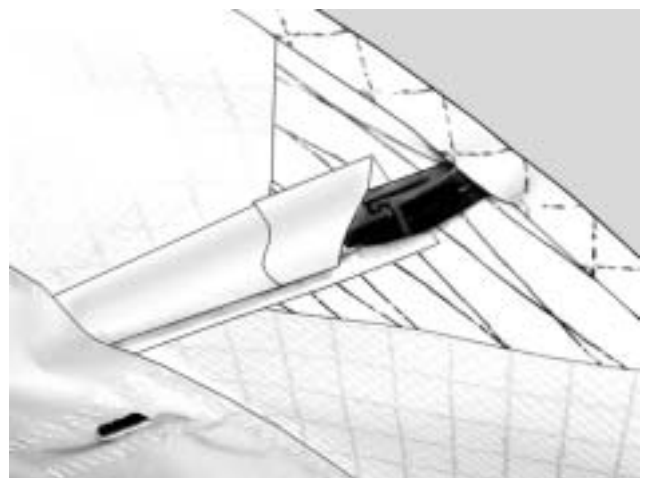


Fig.9

To open or close the batten tip lever press firmly on the undersurface of the tip lever to disengage or engage it (Fig.10).

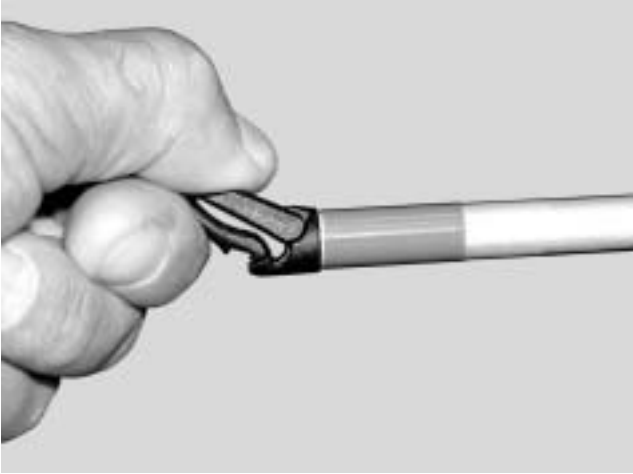


Fig.10 a



Fig.10 b

Insert the battens carefully so as to minimize stress and wear on the sail (Fig.11).

Never insert or remove top surface battens with the cross-bar tensioned (except for up to the last four on each side) and never insert or remove battens with heavy wind pressure on the top of the sail or in any condition which causes the battens to slide with great resistance in the pockets.



Fig.11

9. Spread the wings all the way and check all cables for any twisted thimbles or tangled cables. At the rear of the keel find the shackle of the sweep wire. Pull the shackle out the rear end of the keel pocket, and check that the sweep wire is not wrapped around the keel. Attach the shackle of the sweep wire to the hook on the keel tube (Fig.11).

*An in-flight disengagement of this attachment will cause a complete loss of structural support of the glider and a total loss of control. Never attach the pull handle of the shackle to the hook, even temporarily.*

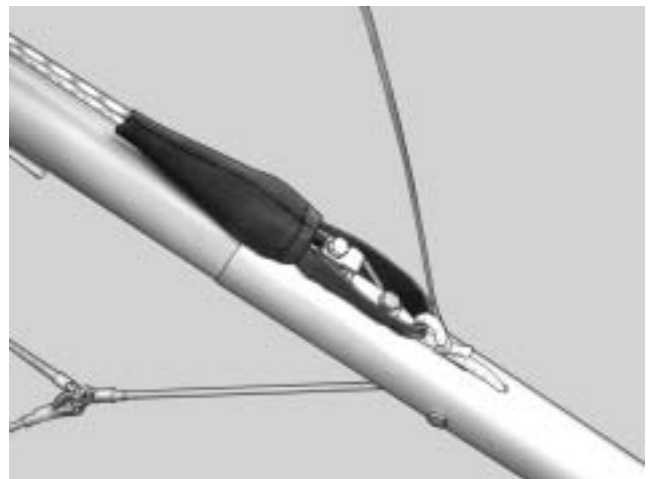


Fig.11

10. Remove the protection bags from the wing tips and install the last four outboard top surface battens.

11. Install the tip battens (Fig. 12):

- bend the tip batten with the angle approx. 60 degrees;
- install the batten into the sail with the bend directed to the wing tip;
- install the flat end of the batten into the angle of the sail tip;
- straighten the batten little bit and guide another end of the batten onto the leading edge batten hook;
- push the bend towards the keel section and gently straighten the batten completely.

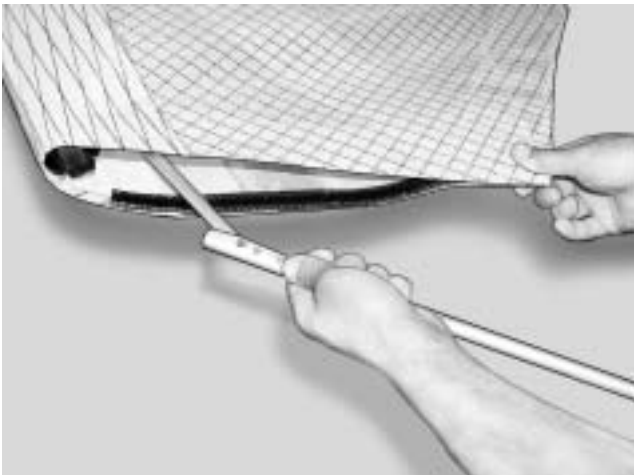


Fig. 12



Fig. 13

12. Install the bottom surface battens (Fig. 13) .

13. The next step is to deploy both the inboard sprogs and the outboard sprogs and secure them in position. Before doing so, working through the sprog access zippers, preflight the following items (Fig. 14) :

- Internal ribs to confirm that they are fully zipped up.
- The sprog hardware, and the sprog cable attachments at both ends of each sprog cable.



Fig. 14 a



Fig. 14 b

To deploy and secure each sprog, swing the sprog away from the leading edge and align it in the center of the rear end of the sprog access zipper.



Fully close the sprog access zipper and this will secure the sprog in the proper position underneath the transverse batten and capture it in position (Fig.15) .

**Note: This is most easily performed with the VG from 1/2 to full on.**



Fig.15

14. Install the nosecone taking care to align it so that it lies flat on the top and bottom of the sail (Fig.16) .

**Don't fly without the nosecone!**

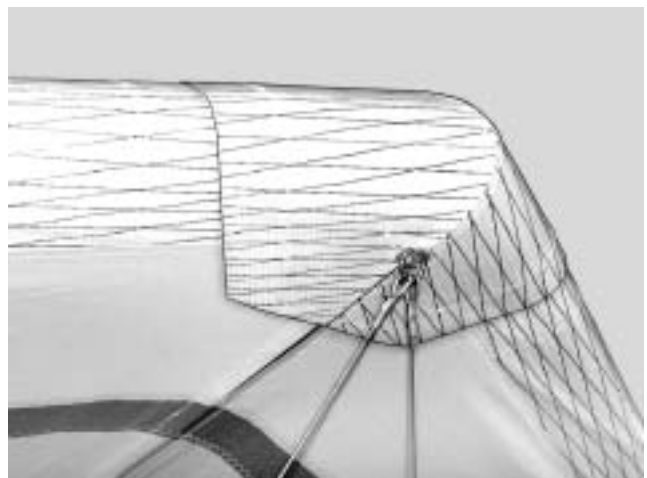


Fig.16

15. Attach plastic winglets. Put front part of the winglet between the sail and the outer part of the leading edge tube (Fig.17) .

Put the winglet tightly inside the sail, fixing it with velcro.

**Note: Same as with sprogs it is easier to install the nose cone and winglets with the VG from 1/2 to full on.**

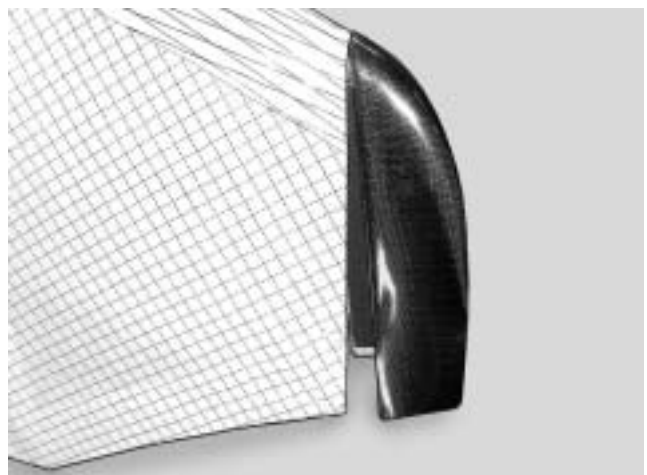


Fig.17

16. Zip up the center sail zipper.

17. Do a complete preflight inspection of the glider (see the Section "Preflight procedure").

## PREFLIGHT PROCEDURE

Conduct a complete preflight inspection of the glider, checking all assemblies, which have not already been checked.

Every bolt, nut, pin, safety ring, and fastener of any kind should be checked during every pre-flight. A full pre-flight inspection should precede every flight you make, not just the first flight of the day.

Carefully check the entire length of the leading edge pocket to insure that the mylar insert is lying flat in the pocket. If any section of the mylar is folded under, de-tension the crossbar, remove the batten closest to the area of distortion, and unfold the mylar.

### ***Take your time and inspect entire glider!***

#### **Along the left leading edge**

Open the main sprog access zipper and look inside, making sure that the crossbar / leading edge junction is assembled properly and safely secured with the nut and the safety ring, side wires are properly secured between the crossbar and the leading edge plate, that the thimbles are not cocked on the tang (Fig.18).

Check that the sail is not caught on the crossbar end, or on any of the hardware

*Remember to close the access zipper.*



Fig.18

#### **At the left wingtip**

This procedure is better to perform before plastic winglets have been installed.

Look into the sail from the wing tip. Tip folded batten must be rested on the batten stop. The washout tip must be installed. Check for any evidence of dents, deep scratches, cracks or bends in the LE tube.

Be sure that the sail mount webbing is properly installed in the end cap slot and safely and correctly secured with the Velcro around the leading edge (Fig.19).

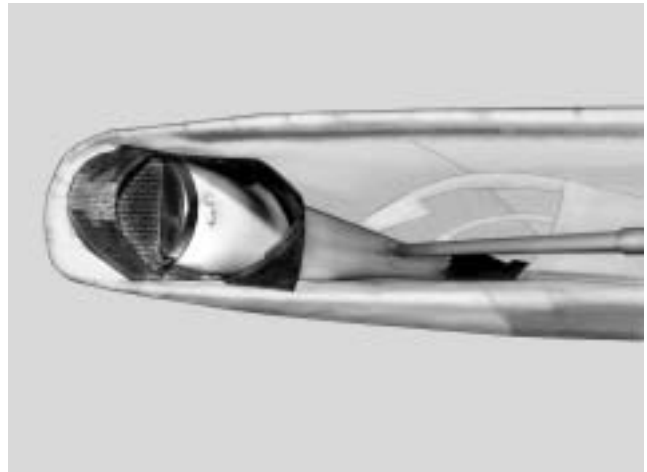


Fig.19

#### **Along the trailing edge, left wing**

Check that there are no tears in the sail material along the trailing edge.

Check that all battens are properly secured.

Check that the outboard and inboard sprogs are properly secured in position supporting the transverse battens, and that the sprog access zippers are properly closed. With the VG set tight, the sprog paddle slides forward on the transverse batten. Make sure that at VG full tight the rear end of the paddle does not slide past the rear edge of the transverse batten, or the system could malfunction.

Check that the bridles are properly engaged.

#### **From the rear keel**

Check that the sweep wire is tight and secured on the hook on the keel tube. Check the proper alignment of the VG ropes – they must not be twisted.

Check the rear wires / keel tube junction. The assembly must be connected with the pin and secured with the safety ring.

**Along the trailing edge, right wing:** Same as for the left wing.

**At the right tip:** Same as for the left tip.

**Along the right leading edge:** Same as for the left leading edge.

**Under the glider at the control bar:**

Sight down the down tubes, making sure that they are straight.

***Do not fly with bent down tubes!***

Check the cables at the control bar corners, making sure there are no kinks or twisted thimbles. Check for proper installation of all nuts and safety rings at the control bar corners.

Unzip the center zipper.

Check the sweep wire for wear where it passes around hang point channel.

Check that the routing of all VG ropes and pulleys is clear and straight (*Fig.20*).



*Fig.20*

Check the VG operation - the pull should be light initially, becoming harder as the VG tight limit is reached. The return on release should be smooth.

With the VG set tight, the sprog paddles slides forward on the transverse batten. Make sure that at VG full tight the rear end of the paddles does not slide past the rear edge of the transverse battens, or the system could malfunction.

Check the crossbar center plates assembly including the sweep wire/X-bar junction, all bolts are in places, secured with nuts.

Also, visually inspect the crossbar by sighting along the length of the crossbars looking for any evidence of damage.

Check the control bar apex bracket hardware, including the clevis pin safeties, the control bar top plug bolt and nut.

Check the main and backup hang loops, pins and safety rings, bolt and nut, that they are properly installed in the proper position and that they are in good condition.

## **LAYING THE GLIDER DOWN FLAT**

Once you have the glider set up, it can be laid down flat on the ground.

1. Remove the nose cone from the nose.
2. Release the front wires from the nose hook.
3. Lay the glider down with nose into the wind.
4. Take a keel tube with a hand near the trailing edge and put the keel tube approx. 0.5 m up. Release the sweep wire from the hook on the keel tube to loose a tension of bottom side wires.

Reverse this procedure to set the glider upright again.

## LAUNCHING AND FLYING THE COMBAT

*Before launching, hook in to the glider and do a careful hang check. We recommend that you hang as close to the base tube as possible - this will give you lighter control pressures and better control in both roll and pitch.*

1. If the wind is more than 25 km/h or gusty you should have an assistant on your nose wires on launch, and, if necessary, an assistant on one or both side wires. Make sure all signals are clearly understood. Do a hang check immediately prior to launch. The angle at which you hold the glider should depend on the wind speed and slope of the terrain at launch; you want to achieve a slight positive angle of attack at the start of your run.

2. Run aggressively on launch and ease the bar out for lift off.

3. The flying characteristics of the Combat are typical of a high performance flex wing. Make your first flights from a familiar site in mellow conditions to give you time to become accustomed to the glider.

4. We recommend that you take-off with VG off or approx. 1/4 on.

5. Do not take off if the sail is wet, especially the leading edge, as the stall speed will increase significantly. **Always fly with a dry sail!**

6. For the same reason **take special care to avoid ice covering the glider, particularly the leading edge in wintertime.**

**Warning:** *It is important that you do not take off with VG on more than ½ length of VG rope. The glider with VG more than ½ on becomes easier to stall and the roll response gets longer. With low speed during take off it can lead to unintended stall.*

## SPEED TO FLY

The range of trim speed for the Combat with VG off is 33 - 35 km/h (21-22 mph). The speed bar position in front of the pilots face corresponds to this range.

With the VG on the trim speed for the Combat is 40 – 50 km/h (25-31 mph) depending on sprig setting. The base bar position opposite the pilot's neck or little bit lower corresponds to this range. The roll pressure increase significantly and the roll rate becomes significantly slower with the VG full on.

**Never fly your Combat when its trim speed with VG on more than 50 km/h (31mph) – the glider becomes pitch unstable and dangerous to fly.**

The Combat speeds up to 110 km/h (69 mph), being essentially roll neutral, with no tendency to yaw. The pitch bar pressure decreases with the VG on, being light when flying close to the trim speed, but progressive and consistent, constantly increasing when the speed increase.

## AEROTOWING

**Special care must be taken in any form of towing.**

We recommend that the VG be set to 1/4 - 1/3 on prior to launch. This provides the best qualitative flight characteristics for flying in formation with the tug at normal aerotow speeds

**Fix the excess VG rope on the control frame so it will not interfere with the construction of the cart during take off. Make sure that all the harness ropes are hidden inside the harness and will not get tangled on the cart during take off.**

If possible, it is best to adjust the keel cradle on the cart to re-set the glider to the proper angle of attack. For Combat gliders the best angle of the keel tube in relation to horizon is approx. 18 - 20 deg.

If it is not possible to re-adjust the cart, recognize the launch will be more demanding, and more dangerous, as the glider will have an increased tendency to leave the cart at a lower speed, where lateral control is reduced, and the tendency to come off the cart with one wing low is increased. To some degree, this can be compensated by pulling forward through the control bar to position the base tube below your shoulders, and holding tight to the hold down rope. This will cause the glider to raise the keel as it begins to develop enough lift to lift out of the cart. At that point, and not before that point, you can release the rope and ease your weight aft to fly the glider off of the cart. Be prepared to pull in once clear of the cart if necessary so as not to climb more quickly than the tug.

Once clear of the cart and in the position behind the tug, use firm lateral movements of short duration for roll and directional control in order to stay in the position behind the tug. Do not move to one side of the bar and wait for the glider to respond - this will lead to over control and being out of position, and may lead to roll / yaw oscillations. It is better to "bump" the glider firmly in the direction of the desired correction and then return to center. If you need more correction, bump again. In pitch, stay on top of the situation and be as aggressive as necessary to keep the tug on the horizon.

## USING THE VG SYSTEM

The Combat VG system uses a reduction system of pulleys between the central part of the crossbar and the hang point tower channel to enable a wide VG range. The change in airframe nose angle from VG loose to tight is over 2 degrees. Tightening the VG increases the spanwise tension which the airframe places on the sail, reducing the spanwise twist and the sail elasticity. The result is an increase in L/D performance and a reduction in roll control authority and roll control response.

The VG is activated by pulling on the VG rope and then moving the rope to set the rope in the cleat. The recommended procedure for increasing VG tension is to grasp the rope firmly at the cleat, and pull straight along the basebar.

VG full loose is for maximizing roll control authority and roll rate.

Between VG full loose and VG one half, the glider retains good lateral control authority and response.

Tighter than VG one half, the glider's roll pressures increase significantly and the roll rate becomes significantly slower. Tight VG settings are recommended for straight line gliding, or for flying in smoother conditions when well clear of both the terrain and of other gliders. The stall characteristics of the Combat at tighter VG settings are more abrupt and less forgiving and the glider is more susceptible to spinning. Full breaking stalls and accelerated stalls at tighter VG settings are not recommended.

## LANDING THE COMBAT

Under ideal conditions, landing approaches are best done so as to include a long straight final into the wind at a speed above best L/D speed. In a very limited field, or a field which slopes slightly downhill, when landing in light wind, you may need to make your final approach at a slower speed, perhaps as slow as minimum sink, in order to be able to land within the field.

In winds of less than 5 km/h (3 mph), if the landing area slopes downhill at more than 10:1, you should seriously consider landing downwind and uphill; or crosswind, across the slope. Landing attempts, which require slow speed approaches, maneuvering around obstacles or into a restricted area, or downwind or crosswind landings are not recommended for pilots below an advanced skill level.

We recommend that you make your approach with the VG set between full loose and 1/2 on. A full loose VG setting will reduce glide performance, making it easier to land on a target or within a small field. It will also ensure maximum control authority during the approach, and especially when flying very slowly on final. At VG full loose, however, there is some loss of aerodynamic efficiency and flare authority. For this reason, in very light winds, at higher wing loadings or at higher density altitudes, it is recommended that a setting of VG 1/3 – 1/2 or more be used. A full loose VG setting will also increase the glider's roll sensitivity, and some pilots have had difficulty with roll / yaw oscillations on final. The best way to avoid this is to fly your entire approach at a constant airspeed, and to control your touchdown point by making adjustments to the shape of your pattern. You should choose your approach speed based on the amount of wind and turbulence present - in stronger wind and more turbulent air, fly faster. In any case, however, try to fly a constant airspeed throughout the approach.

Once established on a straight final approach, with wings level and flying directly into the wind, you should fly the glider down to where the basket is between 1 and 2 m (3-6 ft) off the ground. At this altitude, let the control bar out just enough to "round out" so that your descent is arrested and your flight path parallels the ground. The remainder of your approach will consist of bleeding off excess speed while paralleling the ground and keeping the wings level and the nose pointed in your direction of flight until it is time to "flare" for landing.

Prior to the landing flare your body position should be generally upright, but slightly inclined forward, with your head and shoulders forward of your hips and your legs and feet trailing slightly behind.

Many pilots make the mistake of trying to get too upright at this stage of the landing, which actually reduces your flare authority and makes it harder to land on your feet. Your hands should be at shoulder width and shoulder height on the uprights (*Fig.21*).

You should be relaxed, with a light grip on the bar, and your weight should be fully supported in your harness and not at all by your arms. (If your harness does not allow you to hang in the proper semi-upright landing position "hands off," without supporting your weight on the control bar, you will have a lot more difficulty making good landings).



*Fig.21*

***We wish you many happy landings!***

## COMBAT BREAKDOWN

Break down of the glider is the reverse of assembly.

1. Start with the VG set full loose. Remove the nosecone. Remove any instruments.

2. Remove the undersurface battens. Unzip the sprog access zippers all the way to the leading edge end of the zippers and put out the inboard and outboard sprogs. Remove the tip folded battens and the four shortest battens from the outboard section of the sail. Roll the outboard section of the sail and put the outboard wing tip bags on (Fig.22).



Fig.22

3. De-tension the crossbar sweep wire and let the wings fold in slightly.

4. Unzip the bottom surface central zipper and take the protecting pads sewed on the sail out so that they protect the sail from contact with the control bar apex fittings (Fig.23).



Fig.23

5. Remove the remaining battens except the top battens #1. Put the battens into the batten bag.

6. Pull the wings in parallel to the keel tube. **Take care that the shackle of the crossbar sweep wire doesn't get caught when entering into the sail!**

7. Detach the front wires at the nose plate.

8. Fold the wings all the way in to the keel pulling the sail over the top of the leading edges. At each wingtip, remove the tip cover bag. At this time you should be able to dismount the front ends of the root battens from the keel tube. Install the protective pad and sock over the rear wire junction pin and the rear end of the keel.

9. Fold the sprogs against the leading edge towards the tip. Make sure the sprog zippers are fully open.

10. Pull the sail out away from the keel until it is even on top and bottom. Roll the sail gently and carefully, parallel to the trailing edge of the front and then outboard portion of the sail.

*Try to roll the sail in such a way that the leading edge portion remains as smooth as possible. Do not attempt to stuff the sail between the Mylar pocket and the leading edge tube at any point where you feel resistance, and do not attach the velcro ties so tight so as to induce creases in the Mylar or leading edge sail material (Fig.24).*



Fig.24

11. Working from the trailing edge, roll the sail tightly to the leading edge, and install the tip cover bags.

12. Secure the sail with the velcro sail ties. The first velcro tie is installed by passing it over the top of the keel tube just near the Crossbar-LE tube junctions, and then installing it around the glider leading edges (*Fig.25*).



**Fig.25**

13. Place the bag with battens on the nose section along the keel, put the nose cone under the front velcro ties. Secure the sail with remaining sail ties.

14. Install the glider bag. Flip the glider over onto the ground. Detach the basebar and place it between the leading edges in the bag provided. Place winglets next to the basebar.

15. Fold up the control bar and install the control bar bag, lay it down against the keel. Undo the velcro, which was done first, reach it out to free the keel tube and install it again around both leading edges with the control bar inside. Bring all wires forward along tubes and place downtubes inside the folded sail (*Fig.26*).



**Fig.26**

16. Zip up the glider bag.

The glider is ready for transportation.

## REMOVING THE SAIL FROM THE AIRFRAME AND RE-INSTALLING

Many maintenance and repair procedures will require the removal of the sail from the frame. Please follow these instructions when removing and reinstalling the sail. Please read all the instructions for each operation before beginning.

### SAIL REMOVAL

You will need an unobstructed area 2 m by 10 m (6x30 ft). Make sure the surface is clean. If it is abrasive, you should either put down a protective tarp or be extremely careful not to scrape your sail.

1. Lay the glider on its back, unzip and remove the glider bag. Untie the velcro ties, remove the basebar, winglets, battens and put them aside. Remove the control bar protection bag.

2. Spread the wings slightly. Remove central battens from the sail. Dismount the sail from the front leading edge by unscrewing the sail mount screw. Undo the sail mount webbing velcro and remove the sail mount webbing from the plastic end at the rear leading edge.

3. Put a chair or other similar height support under the nose of the glider.

4. Remove the screw from the keel pocket webbing at the rear part of the keel tube. Detach the rear cables from the keel tube.

5. Dismount the control bar apex assembly from the keel tube. Unbolt the hang point tower with a spreader bar and a hang loop from the keel tube and slide it forward, along the keel.

6. Unbolt the leading edge / crossbar joint, remove the side wires and feed them through the holes and out of the sail. Temporarily bolt the leading edge / crossbar joint back together.

*Reassemble the hardware removed onto the bolts in the original order so that it doesn't get lost. All disassembled assemblies on the glider must be reassembled in the proper order and orientation.*

7. Slide the sail slightly forward and get the nose of the frame out through the nose hole of the sail. Now slide the complete frame out through the open center zipper. If you encounter resistance, stop and find out what is hanging up.

8. If you need to send the sail to the factory for repair, remove the Mylar inserts and the transverse battens. The Mylar insert is to remove from the front end of the Mylar pocket. It helps to secure the opposite end of the sail to something solid, so that you can lay the leading edge out straight and pull the Mylar straight out of the pocket.

9. Fold and pack up the sail carefully if you plan to ship it in for repair. Be sure to include written instructions of what you want done, your name and a phone number.

### RE-INSTALLING THE SAIL ON THE FRAME

1. Install the Mylar inserts in the sail. Make sure you install them right side up; the slit edge is at the front and on the bottom. The easiest way to install the Mylar insert is to push it into the pocket using a long lofting batten attached to the end of the Mylar insert, which is first inserted in the pocket.

You will have to stop from time to time to make sure the Mylar insert is properly lying flat in the pocket. Do not push the Mylar insert too far into the pocket. Make sure there are no folds in the Mylar insert, especially at the tips. Make sure the Mylar wraps in the proper direction to follow the sail around the leading edge as it enters the pocket.

2. Install the transverse battens in the sail.

3. Position the sail on the floor with the keel pocket facing down and the wings folded over so that the leading edges lie along the length of the root line, with the Mylar pockets lying on top.

4. The frame is most easily inserted with the rear leading edges installed.

5. Tie all sprogs down to the leading edges so that the sail doesn't get caught on to them during installation.

6. Position the frame with the top nose plate facing up and with the rear end of the leading edges at the nose of the sail. Slide the frame into the sail through the open bottom surface zipper, making sure that the leading edges of the frame pass properly into the leading edge pockets of the sail and don't get caught at the rear of the bottom surface near the root. As you feed the frame slowly into the sail don't forget to insert the keel into the keel pocket of the sail. Check periodically to see that none of the hardware is snagging on the sail or internal sail ribs.

7. Make sure you untie all sprogs from the leading edges and get them out of the sail through the sprog access zippers.



8. Continue to slide the frame into the sail until you will be able to get the nose of the frame out through the nose hole of the sail.

9. Mount the sail mount webbing straps on the plastic caps of the rear leading edge tubes and secure them with the sail mount webbing velcro. (See the section at the beginning of the manual about re-assembly after shipping.)

10. Attach the keel retainer webbing strap to the keel tube with the screw.

11. Attach the hang point tower with the spreader bar and a hang loop to the keel tube. Check that the routing of the sweep wire and all VG ropes around the spreader bar is right and clear.

12. Insert the side wires through the side wires holes into the sail. Working through the main sprogs access zipper bolt the leading edge / crossbar joint with the side wire together, making sure that no cable is wrapped around a leading edge or crossbar, and that no thimbles are cocked or twisted.

13. Attach the rear wires to the rear of the keel.

14. Set the glider up onto the control bar.

15. Spread the wings slowly and carefully, making sure that the sail rides forward as necessary at the nose without catching.

**Be careful: you can easily tear the sail open at the nose.**

*Note: When spreading the wings with the sail mount screws been unscrewed check that the sail mount webbing is in proper position in the slot of the end cap of the leading edge # 3.*

16. Finish the assembly of the glider completely according to the normal assembly procedures.

*Note: Secure the sail mount webbing with the screws to the front leading edges after you accomplish all steps in section "Combat set-up procedure" from item 1 through item 8.*

17. Do a very careful and complete preflight of the glider according to the normal preflight procedure as explained earlier in this manual.

## COMBAT STABILITY SYSTEMS

Several design features of the Combat determine the glider's degree of stability in pitch:

- The combination of wing sweep and spanwise twist.
- Reflex in the root section.
- Main (inboard) sprogs, and the height at which they and the transverse battens support the trailing edge.
- Outboard sprogs, and the height at which they and the transverse battens support the trailing edge.
- The shape of the preformed battens and the internal fabric ribs, and adjustment of the internal velcro attachments, which define the airfoil.

Correct attachment and proper adjustment of the inboard and outboard sprogs are critical to providing adequate stability at low angles of attack, particularly those below the normal operating range.

## **MAINTENANCE**

This section contains a recommended schedule of periodic maintenance. None of the items in this section are a substitute for the continual and consistent practice of proper pre-flight inspections and immediate maintenance of any items on the glider, which require it. Safety requires that your glider be fully airworthy for every flight. Nuts and bolts must always be secure, safeties must always be in place, and damage to any part, which could compromise the airworthiness of the glider, cannot be tolerated. If you have a question about the need to repair or replace some part of your glider, feel free to contact your dealer or Aeros directly. It is not always obvious which items require attention and which may not. Minor dents or dings in a non-critical location on an airframe tube may not require any repair or maintenance. On the other hand, a wire that has been kinked one time can fail very quickly after that, and should be replaced immediately.

We recommend that you have all maintenance work done by your Aeros dealer.

### **EVERY SIX MONTHS**

1. Check the adjustment of your outboard sprogs, as described in the last section.
2. Check your battens on a flat level floor against the batten diagram provided, and correct any that deviate from the pattern by more than 6 mm (1/4").
3. If you fly in a dusty or sandy environment, it will help to prolong the life of your batten pockets if you wipe each batten with a rag before you install it in the sail.
4. Have a complete inspection performed on the glider and replace any suspension system component that shows any wear, and any cable that shows any kinks, wear, damage, corrosion, etc.
5. Inspect all bolts for tightness, all safeties for proper installation and possible damage. Inspect plates and fittings for damage, holes in tubes for elongation.
6. Inspect the sail for wear, tears, UV damage, loose stitching, etc.
7. Disassemble basetube pulley assembly, clean, lubricate with white grease, and re-assemble.
8. Lightly spray all zippers on the glider with silicone spray lubricant. Also spray your battens before you install them in the glider to lubricate the insides of the batten pockets. Do not use any other type of lubricant. Wipe off any excess silicone so that it does not attract dirt.
9. Inspect the sprogs, sprog hardware and sprog cables. If the sprogs have been loaded heavily, it is possible that the sprog tubes may have been bent, and the cables may have been stretched.

### **EVERY YEAR**

In addition to the normal six month service items, also perform the following:

1. Have the sail completely removed from the frame, and disassemble all frame components. Inspect every part of the glider for any damage or wear. Inspect the tubes for straightness and for signs of corrosion.
2. Anytime you have the sail off the frame, inspect all of the batten pockets and batten pocket terminations.
3. Replace bottom side wires and hang loops.
4. Replace the VG ropes.
5. Remove the transverse battens and inspect for damage.

## SPECIAL CIRCUMSTANCES

1. Any time you suffer a crash or extremely hard landing you should have an "annual" inspection done on your glider to insure that you find all damaged parts. Following any hard landing, be sure to inspect the apex hardware, the control bar legs and basetube, and all control bar fittings for damage. Any time you replace a control bar leg or basetube, you must carefully inspect all related fittings and replace any that are bent or damaged. Hard landings may also impose very high loads on the sprog assemblies and transverse battens, and bridle lines. Inspect accordingly.

2. If your glider is ever exposed to salt water you will need to have the glider completely disassembled in accordance with the recommended annual inspection procedure. All frame parts will need to be disassembled, including the removal of all sleeves and bushings, flushed liberally with fresh water, dried completely.

3. A wet glider must be dried before storing. Do not leave your glider wet for more than one day, because corrosion may result.

4. Take special care to avoid ice covering of the glider, particularly the leading edge in wintertime.

5. If you fly regularly at the coast in windy conditions, be aware that the sea mist spray can have the same effect. Hose down your glider after such flights, and keep a special lookout for corrosion.

6. Cleaning your sail - keeping your sail clean will extend the life of the cloth. When cleaning the entire sail you should generally use only water and a soft brush. You may clean small spots or stains with any commercial spot remover that is labeled for use on polyester.

## PROCEDURE FOR CHECKING CARBON FIBER CROSSBEAMS APPLIED IN AEROS HANG GLIDERS

The present procedure is applicable for composite crossbeams (hereinafter -crossbeams") used in the frame of the hang gliders KPL-13, KPL-14, Combat-13 and Combat-14, *Combat-15, Combat L-13, Combat L-14, Combat L-15* and consists of visual inspection.

1. General inspection. The crossbeam should be free of visible defects/damage of the bearing structure of its walls and bands. Delaminating of decorative coating is possible and it doesn't influence strength of the crossbeam.

2. Root junction of the crossbeam attachment. Bushings should not be biased; this is determined using glue marks around their flange. The slack of the bushings in relation to the crossbeam is not allowed.

3. Tip attachment junction. The tip of the crossbeam should have no disintegration and visible damage.

***In any case when damage is discovered, the repairability of the crossbeam should be determined by a representative of Aeros Ltd or by the manufacture of the crossbeam.***

***Conclusion about further possibility to use the crossbeam can be made only after loading the crossbeam and can be done by a representative of Aeros Ltd or by the manufacture of the crossbeam only.***

## A NOTE ABOUT CABLES AND CABLE MAINTENANCE

The cables which support the glider's airframe are critical components of the glider's structure, and must be maintained in an air worthy condition. It is a general practice in the design of aircraft structures to design to an ultimate strength of 1.5 times the highest expected load in normal service.

Hang glider cables, like other structural components on the glider, are typically designed with a structural safety factor of only about 50% above the expected maximum load. No significant loss in cable strength can be tolerated. A cable with even a single broken strand must be replaced before the glider is flown again. A cable which has been bent sharply enough to have taken a permanent set must also be replaced immediately.

Some degree of fatigue due to repeated bending of cables is almost unavoidable in an aircraft that is assembled and disassembled with every flight. Side wires are subject to the highest loads in flight, and are therefore the most critical. This is why we recommend that these wires be replaced annually, even if there is no known damage.

## GLIDER TUNING

### TRIMMING YOUR GLIDER IN PITCH CG ADJUSTMENT

You will find that the pitch trim of the Combat, as well as the basetube position at trim, changes with VG setting. At VG loose, the Combat will normally be trimmed very close to stall. The bar position at trim at VG loose will be relatively far out. As you set the VG tighter, the trim speed will normally increase and the trim bar position will move back.

At VG loose, the pitch is very well defined, and the pitch force increases quickly as you pull in from trim speed. At tighter VG settings, the "pitch well" becomes more "shallow," and the pitch force increases much less as you pull in from trim speed.

Overall pitch trim is affected by several factors. Among the most significant is the location along the keel of your hang point. The farther forward your hang point is, the faster the glider will trim, the less effort will be required to fly fast, and the more effort will be required to fly slow. If the glider's trim is too slow, it will make the glider more difficult to control in roll, especially in turbulent air and when the nose pitches up on entering a strong thermal.

On the Combat, hang loop fore and aft position is adjusted by repositioning the hang point tower on the keel. **Do not miss the holes in the keel tube during hang point position adjustment!**

Pilot's weight has an effect on the trim speed. If the trim speed is got for a pilot of 80 Kg, a pilot of 60 Kg has to move the hang point tower to the next backward hole to keep this trim speed.

### COMBAT SPROG ADJUSTMENT AND FLIGHT TESTING

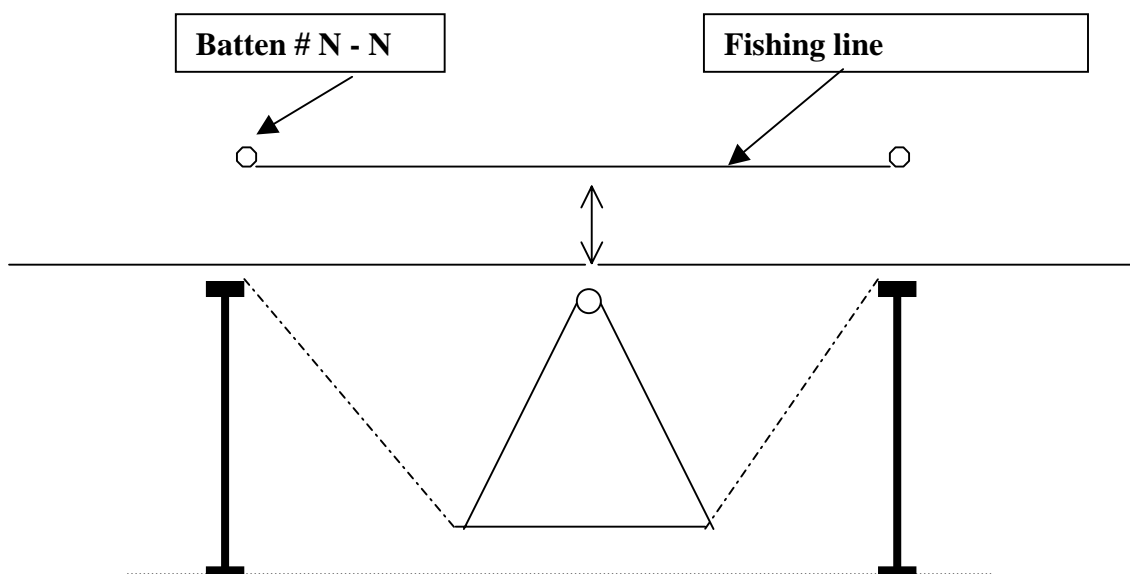
The Combat uses inboard and outboard sprogs in combination with one transverse batten on each sprog. Each transverse batten spans two top surface battens, so a total of eight top surface battens are supported. The sprog system is the primary component of the system, which provides pitch stability.

The function of the system is to support the trailing edge of the sail at low angles of attack, and thus provide a nose up pitching moment. The sprogs are adjusted at the factory to their proper settings.

You can check this adjustment as follows:

### SPROG MEASUREMENT

1. Fully set up glider on a reasonably level surface and **set the VG to full tight**.
2. Place three equal supports, about 1,7 m (5.5 ft) tall, under the each leading edge tube-cross bar junction and in place behind the connection of rear bottom cables to a keel tube.
3. Tie a lightweight thread (fishing line) tightly across wing from each pair of batten end tips # 7, 8 and 10:



4. Press firmly on the end of each sprog supported batten and then release. Set the VG to full off and than to full tight again. Measure the crossbar travel: it should be 130mm. Measure the height of each thread relative to the top of the keel tube. The results should be as follows:

**For Combat-2-13:**

Batten # - #	Combat-2-13 produced before Feb.05.2003, with serial numbers before 224, (mm)	Batten # - #	Combat-2-13 produced after Feb.05.2003, with serial numbers 224 and after, (mm)
7 - 7	-10	7 - 7	-20
8 - 8	-5	8 - 8	-10
10 - 10	-15	10 - 10	-25

**For Combat-2-14:**

Batten # - #	Combat-2-14 produced before Oct.29.2002, with serial numbers before 488, (mm)	Batten # - #	Combat-2-14 produced after Oct.29.2002, with serial numbers 488 and after, (mm)
7 - 7	0	7 - 7	-20
8 - 8	+5	8 - 8	-20
10 - 10	+10	10 - 10	-25

**For Combat-2-15:**

Batten # - #	Combat-2-15 produced before Oct.29.2002, with serial numbers before 489, (mm)	Batten # - #	Combat-2-15 produced after Oct.29.2002, with serial numbers 489 and after, (mm)
7 - 7	0	7 - 7	-30
8 - 8	-5	8 - 8	-30
10 - 10	-10	10 - 10	-40

**For Combat - L:**

Batten # - #	Combat - L-13, (mm)	Batten # - #	Combat - L-14, (mm)	Batten # - #	Combat - L-15, (mm)
7 - 7	-20	7 - 7	-30	7 - 7	-30
8 - 8	-10	8 - 8	-30	8 - 8	-30
10 - 10	-25	10 - 10	-45	10 - 10	-40

**Note: All figures are given with VG on only.**

**Permissible range of thread heights relatively to the top level of the keel tube is +/- 5mm.**

5. Note that this method will not disclose sprogs that are asymmetric. If, after achieving the proper measurement, you have a turn in the glider, which is only present at tighter VG settings, lower the sprog on the side the glider is turning towards, and raise the other sprog by the same amount.

## SPROG MEASUREMENT WITH PELICCIOMETER

There is another method of checking sprog angles with the Pellicciometer (the newest instrument designed by Thomas Pellici to check the sprog angles). This method is much simpler but not as precise as the one which is described above.

1. Set the VG to full tight.
2. Using the Pellicciometer as shown on fig. 27 set the keel tube horizontal (0 deg. on the Pellicciometer) and put a keel tube on a support to maintain 0 deg. angle during further measurements.

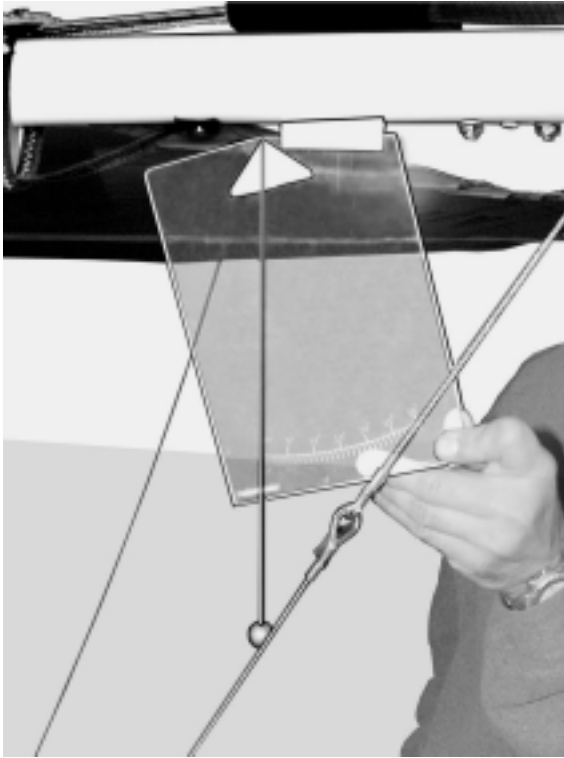


Fig.27

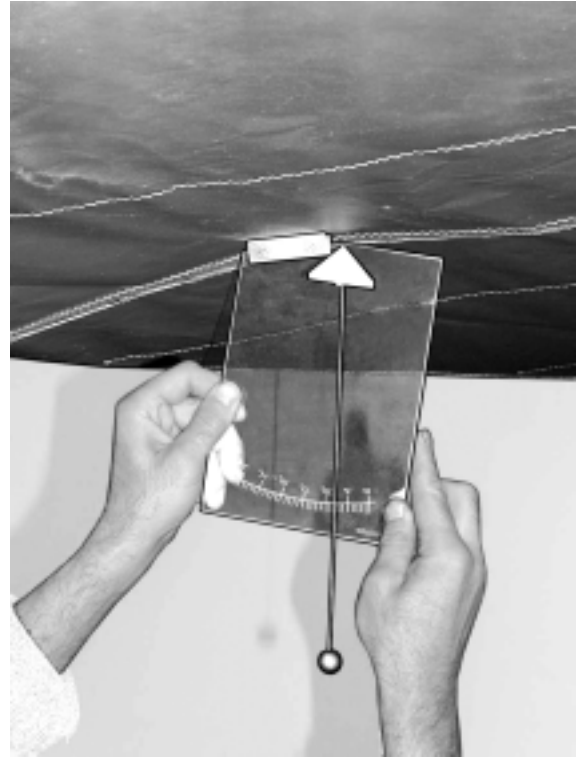


Fig.28

3. Place the worktop of the Pellicciometer under middle part of the sprog and press the instrument firmly towards the sprog through the double surface of the glider, so that the entire worktop surface of the Pellicciometer touches the sprog.

The plumb line of the Pellicciometer will show the sprog angle (Fig.28).

The measurements for all Combat L13, Combat L 14 and Combat L 15 are the same and should be as follows:

*main sprogs: 6 – 6.5 deg.,  
outboard sprogs: 9.5 - 10 deg.*

## METHOD OF ADJUSTMENT

### To adjust the outboard sprog height:

1. Fully unzip the access zipper to gain access to the sprog-LE tube connection.
2. Remove the sprog wire tang from the pin on the LE tube, taking care to maintain the rotational alignment of the sprog at its original setting (*Fig.29*).
3. At the front of the sprog there is a threaded adjuster. To raise the sprog, turn the entire sprog counter clockwise. To lower the sprog, turn it clockwise. One full turn raises or lowers the sprogs end about 12 mm (1/2").
4. Re-attach the sprog cable and press down firmly on the rear end of the sprog to seat the cable before checking the measurement again.



*Fig.29*

### To adjust the main sprog height:

1. Fully unzip the access zipper to gain access to the crossbar-L junction (*Fig.30*).
2. Remove the pin on the plastic end of the sprog threaded adjuster at the front of the sprog. To raise the sprog, turn the plastic end of the sprog threaded adjuster counter clockwise. To lower the sprog, turn it clockwise.
3. Re-install the pin on the plastic end of the sprog threaded adjuster, zip the access zipper and press down firmly on the rear end of the sprog to seat the cable before checking the measurement again.



*Fig30*

## TEST FLIGHT

If the sprogs are set too low, it may cause a significant increase in trim speed and a reduction in pitch pressures at tighter VG settings, and there will be a reduction in pitch stability at angles of attack below normal flight. This stability reduction could increase the probability of a turbulence-induced tumble or other in-flight stability related loss of control. If the sprogs are set too high, it may cause excessive pitch bar pressure at high speeds, and excessive roll control pressures, lag in roll response.

Please be aware that flight-testing encompasses a very limited angle of attack range and that there is no correlation between pitch stability in the flight test envelope and pitch stability in the extended angle of attack range that is investigated on a test vehicle.

*This test is best performed by a qualified test pilot, and, in any case, should be performed only in smooth air and with caution.*

## TURN TRIM

Turns are caused by an asymmetry in the glider. If you have a turn, first try to make the glider symmetrical in every way. If a turn appears only at VG settings of 3/4 to full tight, it may be an indication that the sprogs are set asymmetrically.

In this case you have to lower the sprogs on the side the glider is turning towards and raise the sprogs on the other side by the same amount.

To lower the sprog, turn it clockwise. To raise the sprog, turn the entire sprog counter clockwise. One full turn raises or lowers the sprog about 15 mm.

If you have a turn with VG off only, correct it by rotating one of the sail mount plugs. The left turn is corrected by twisting the right sail plug clockwise (twisting the sail up at the trailing edge).

Don't forget to fix the plug in the chosen position using the screw (Fig.31).



Fig.31

If your glider has a turn both with VG on and VG off, first start to correct it as it was described in case of a turn with VG off. If the turn with VG on still remains, then correct it with sprogs as it was described in case of a turn with VG on.

**ADJUST ONE THING AT A TIME ONLY!**

## AIRFRAME

Check the leading edges for possible bent tubes. Check that the keel is not bent to one side. Check that the crossbar has neither cracks nor any visible damage.

## BATTENS

Check the battens for symmetrical shape.

## BATTEN TENSION

All battens on the Combat are tensioned by lever batten tips. The desired batten tension can be easily adjusted by the threaded lever batten tip adjuster (Fig.32).

To increase batten tension rotate the threaded lever batten tip adjuster counter clockwise. To decrease batten tension rotate the threaded lever batten tip adjuster clockwise.

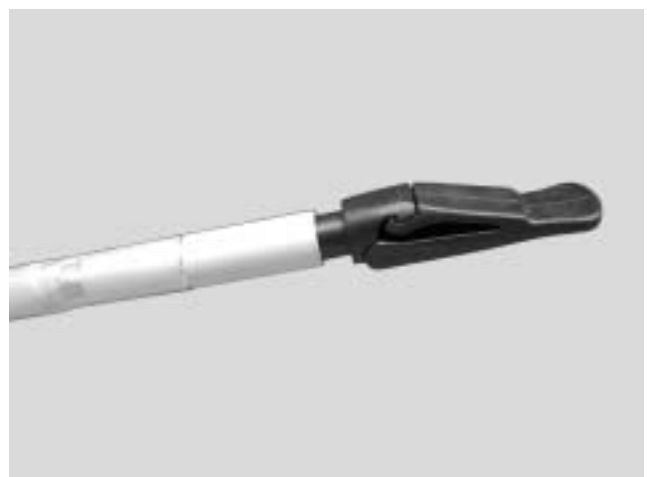


Fig.32



## IN CLOSING - A FEW FINAL WORDS ON YOUR SAFETY

Hang gliding is an active air sport with associated risks. Your safety can be greatly enhanced by following a few simple rules:

- Your glider is delivered to you ready to fly. Do not make any adjustments, which are not described in this manual.
- If you are in doubt about any aspect of your glider, you should consult your dealer or Aeros for advice.
- Only fly after having attended a good school, recognized by your hang gliding federation.
- Fly a glider suited to your level of ability. A new risk may arise when you first fly a new type of the glider.
- The reactions of your new glider may well differ from those of the glider you were used to. In order to keep this risk low, we recommend that you gradually become familiar with your new glider.
- Before every take-off always do both an assembly check and a pre-flight check.
- **Do not take off if the sail is wet**, especially the leading edge, as the stall speed will increase significantly.
- ***Always fly with a dry sail!***
- A wet glider must be dried before storing. Do not leave your glider wet for more than one day, because corrosion may result.
- Never fly alone.
- Do not attempt towing of any kind, unless you have attended a recognized towing school.
- Don't push your luck. It is your responsibility to know the limits of your glider and the limits of your own experience. Remember, that ultimately your safety is your responsibility.
- Fly only in places that are suitable for hang gliding.
- With proper care and maintenance, your glider will retain a high level of airworthiness for many years.

Have fun. Fly safely.

Aeros Team





# BHPA AIRWORTHINESS STANDARDS

## BHPA Combat L 15 COMPLIANCE VERIFICATION SPECIFICATION SHEET

---

This document is a record of the dimensions, the structural members and the flight limitations of hang glider type. It also allows identification of production types for entry into restricted competitions.

MANUFACTURED BY: **Aeros Ltd.**

HANG GLIDER MODEL: **Combat L 15**

FAI CLASSIFICATION OF HANG GLIDER: **Class 1**

### 1. General Data

Projected Wing Area (sail):	14.7 m <sup>2</sup>
Projected Wing Span (sail):	10.5 m
Weight Without Packaging:	36 kg
Limitation- Payload:	Min 90 kg    Max 120 kg

### 2. Limitation-Pilot Adjustable Settings:

The distance from most forward point of keel tube is required:

Hang point (effective pivot point) most forward position	1325 mm
Hang point (effective pivot point) most aft position	1370 mm
Cross tube center load bearing pin most forward position	785 mm
Cross tube center load bearing pin most aft position	930 mm

### 3. Leading Edge Dimensions

e. Nose plate anchor hole to:	
Crossbar attachment hole	3240 mm
Rear sail attachment point	5716 mm
f. Outside diameter at :	
Nose	62 mm
Crossbar attachment	62 mm
Rear sail attachment point	50 mm

### 4. Crossbar dimensions:

g. Overall pin to pin length	2995 mm
h. Largest outside dimension	90 mm

### 5. Sail Dimensions:

a. Chord length at:	
1000 mm outboard of centerline	1790 mm
1000 mm inboard of tip	1120 mm
i. Span (extreme tip to tip)	10500 mm

### 6. Battens:

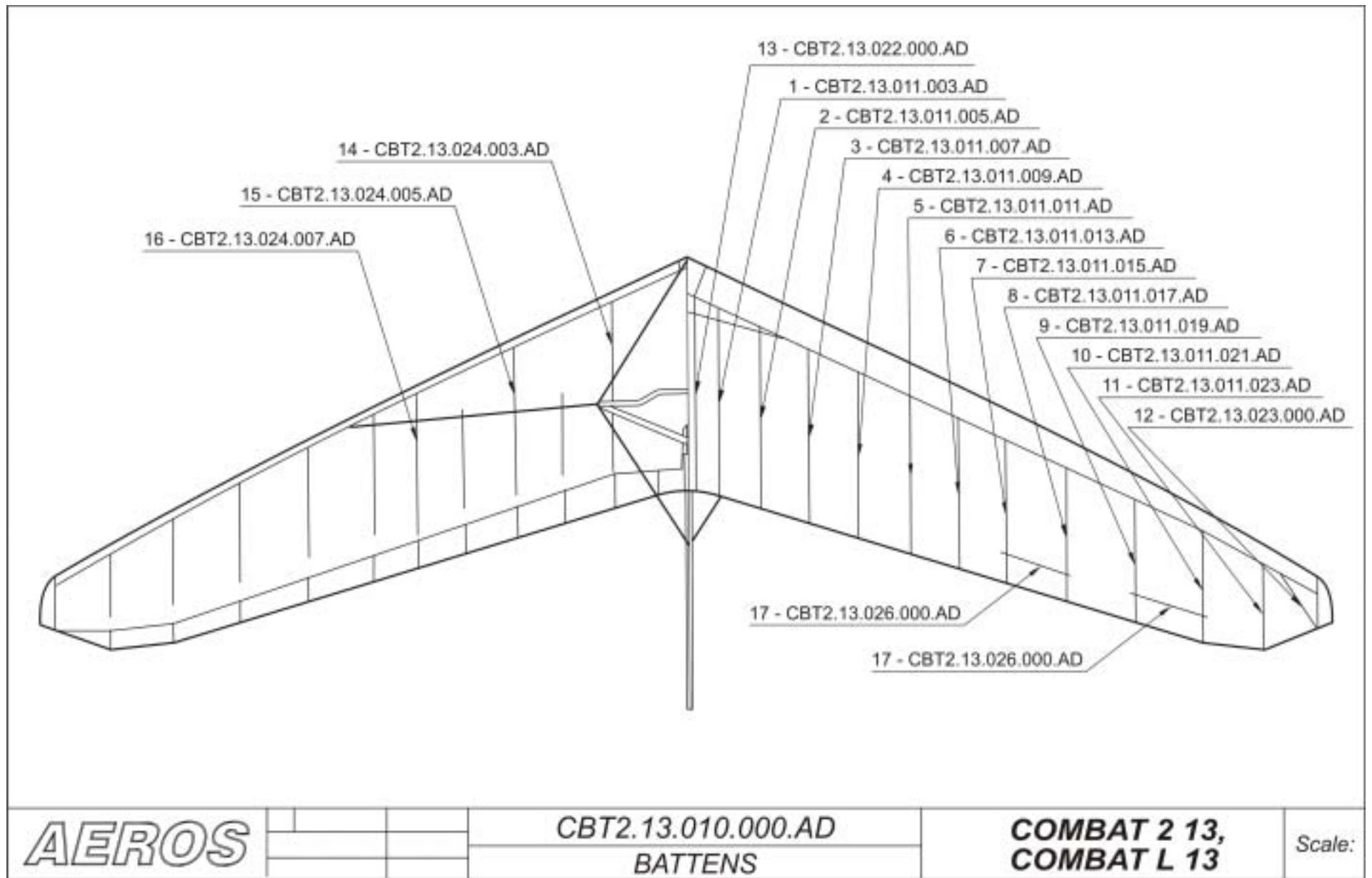
Number of battens fitted:	top surface – 26,
	bottom – 6

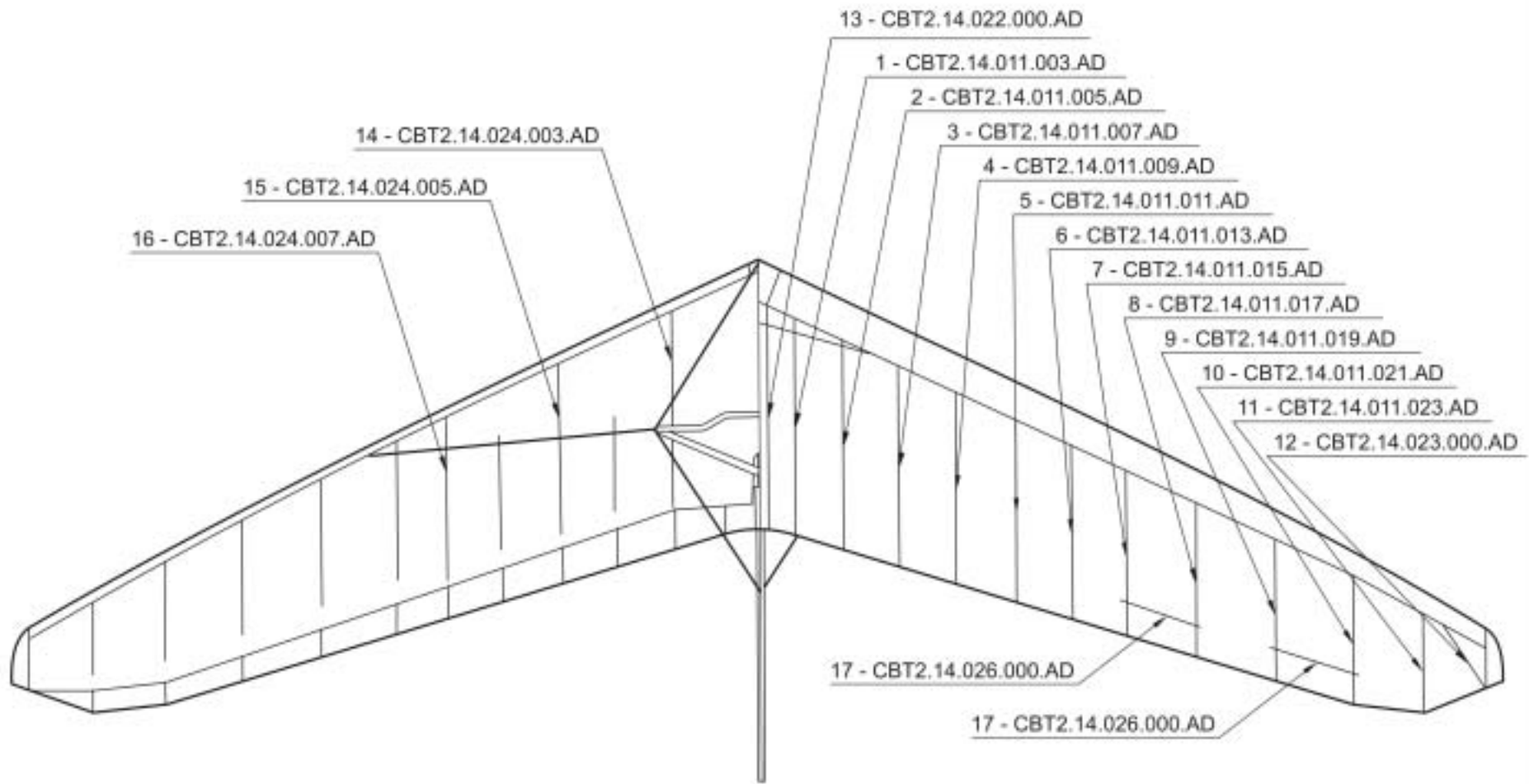
### 7. Washout struts:

Number per side - 2

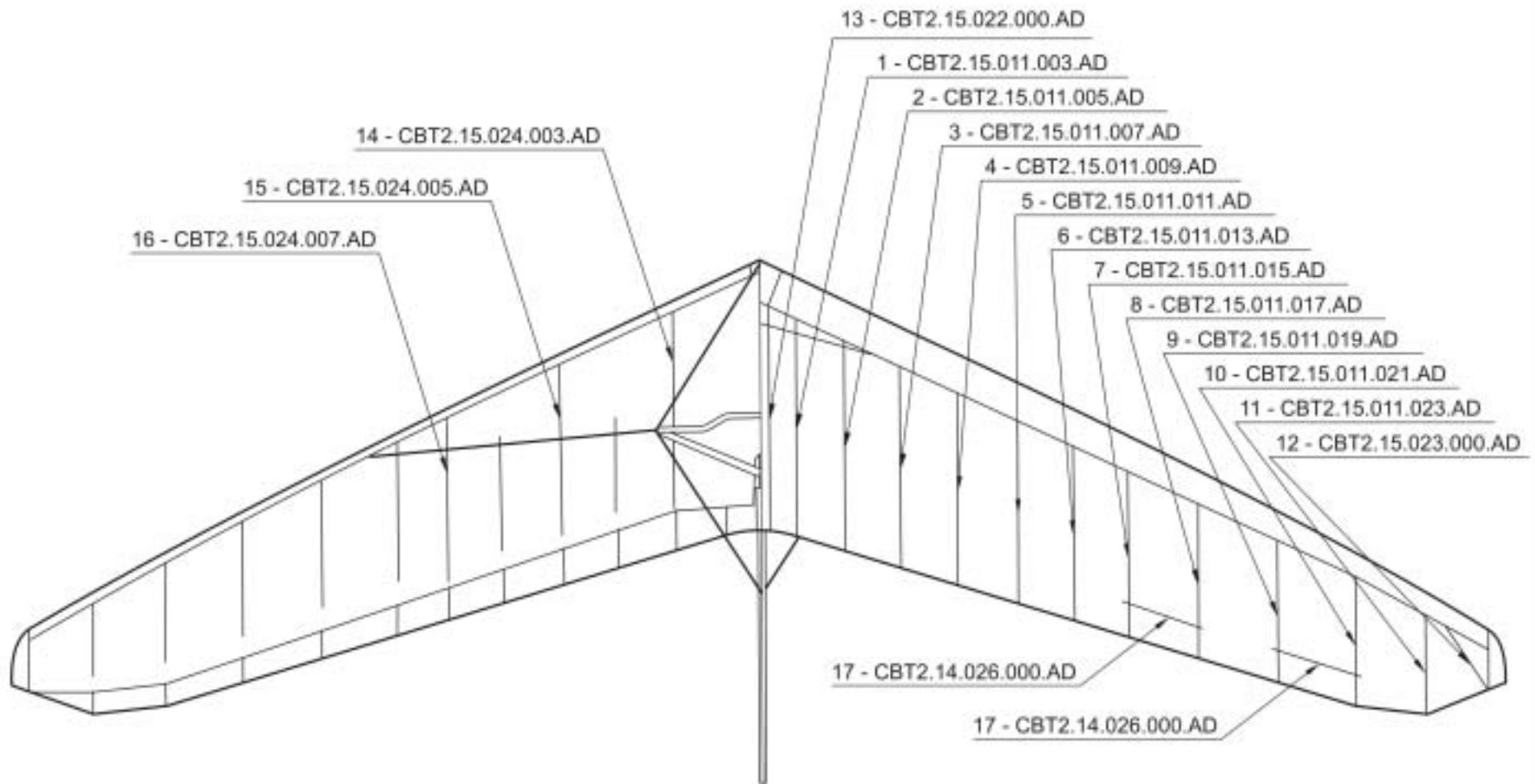
### 8. Location of Information Placart

Crossbar, 150 mm from centerline





<b>AEROS</b>		CBT2.14.010.000.AD	<b>COMBAT 2 14, COMBAT L 14</b>	Scale:
		BATTENS		



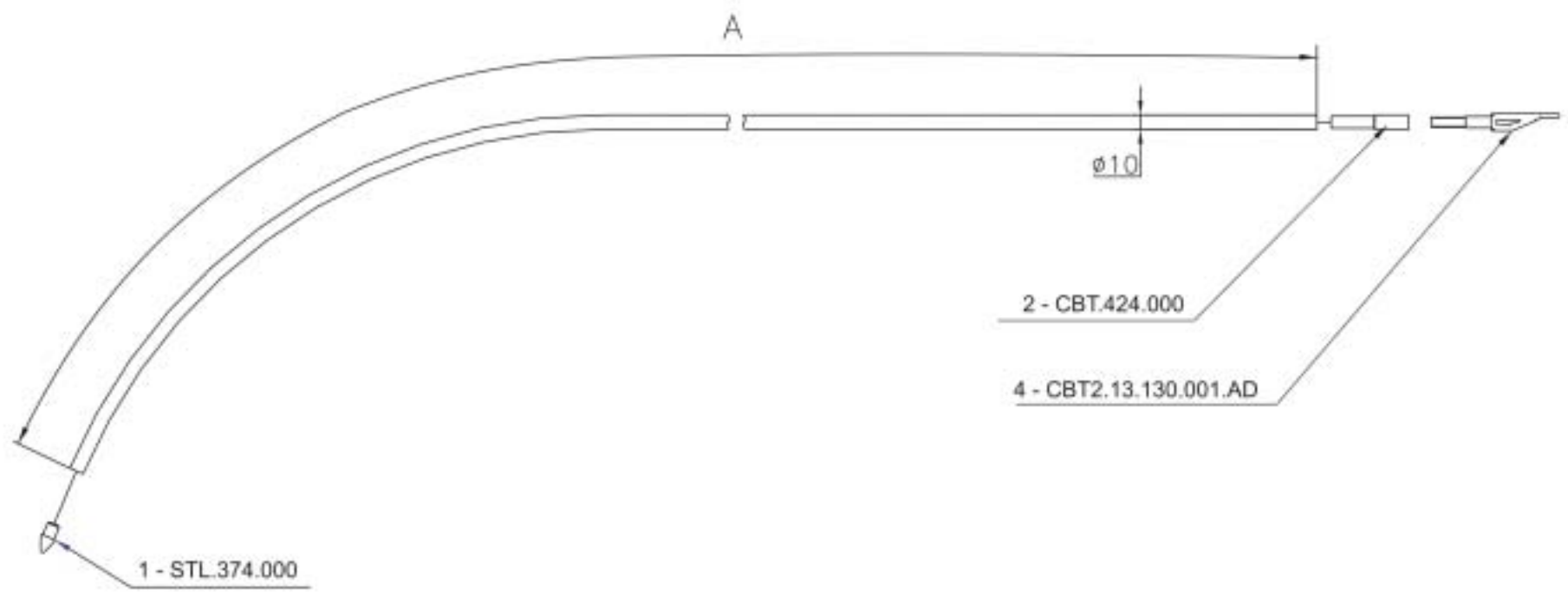
**AEROS**

CBT2.15.010.000.AD  
BATTENS

**COMBAT 2 15,  
COMBAT L 15**

Scale:

31

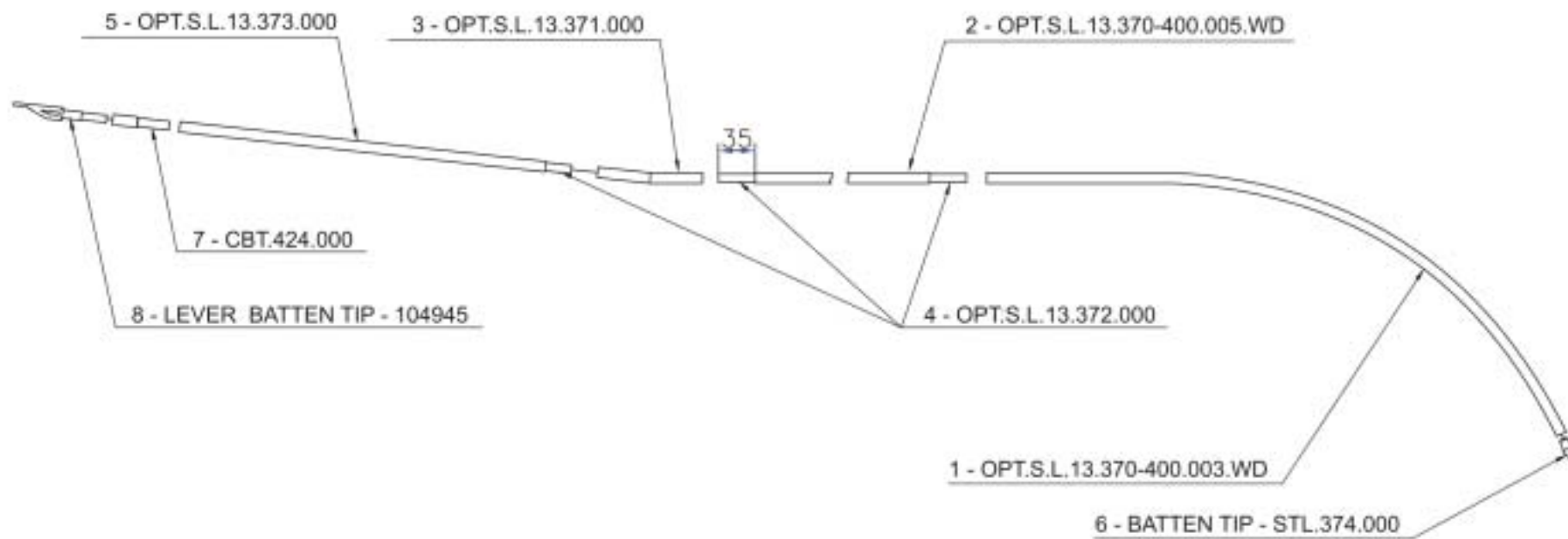


**AEROS**


011.000.AD  
TOP BATTEN

Scale:

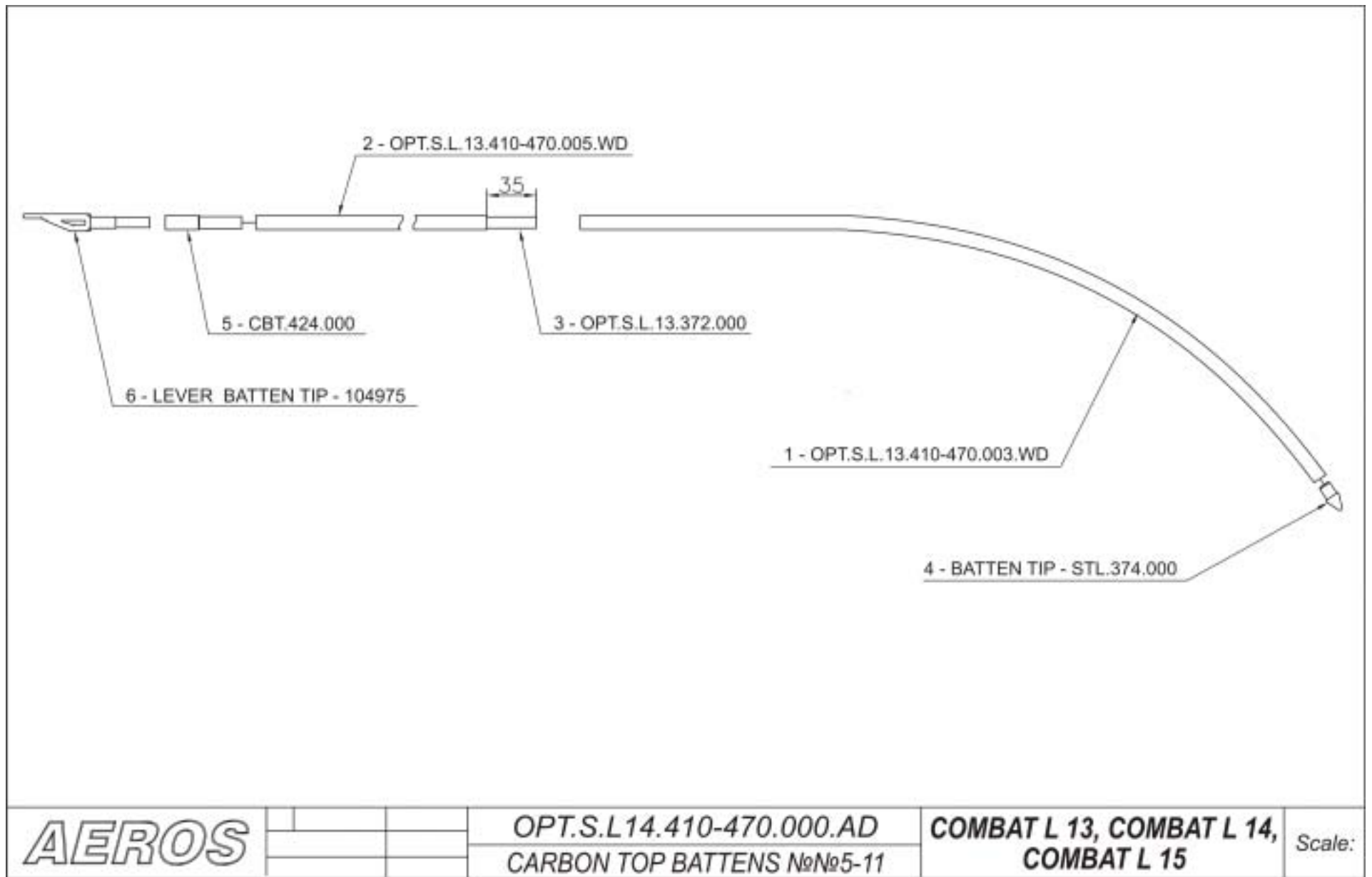


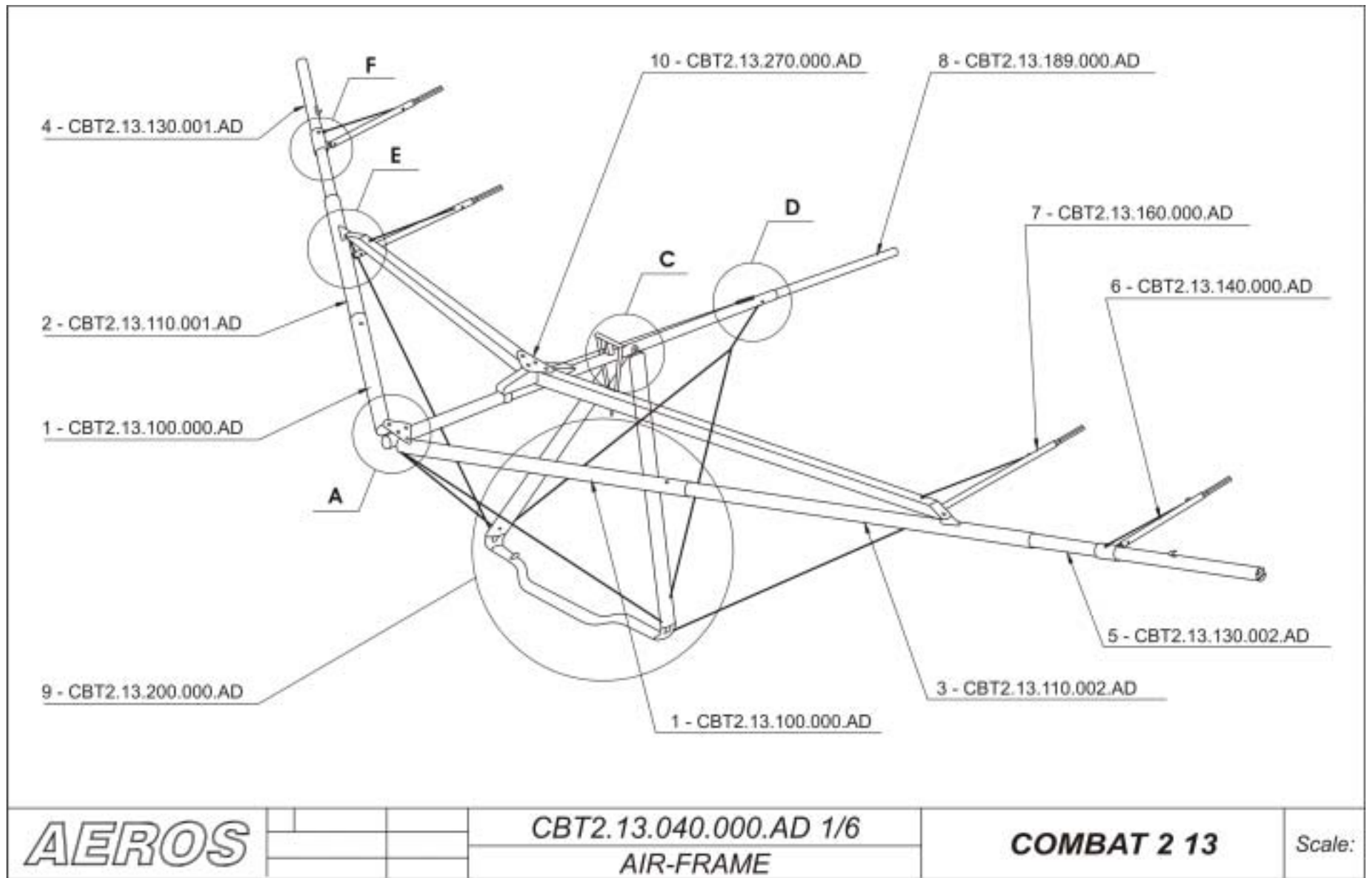

**AEROS**

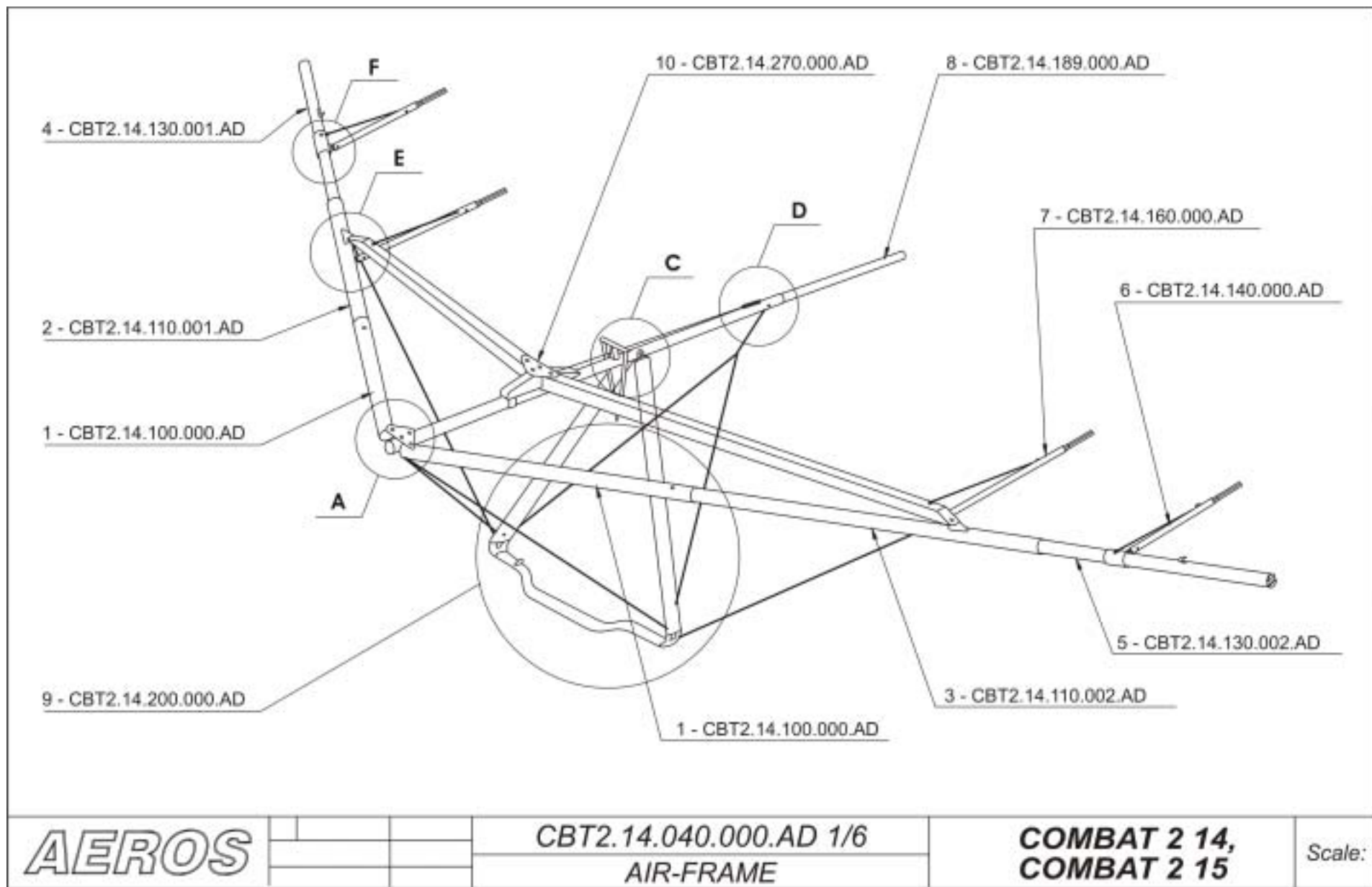
 OPT.S.L.13.370-400.000.AD  
 CARBON TOP BATTENS №№1-4

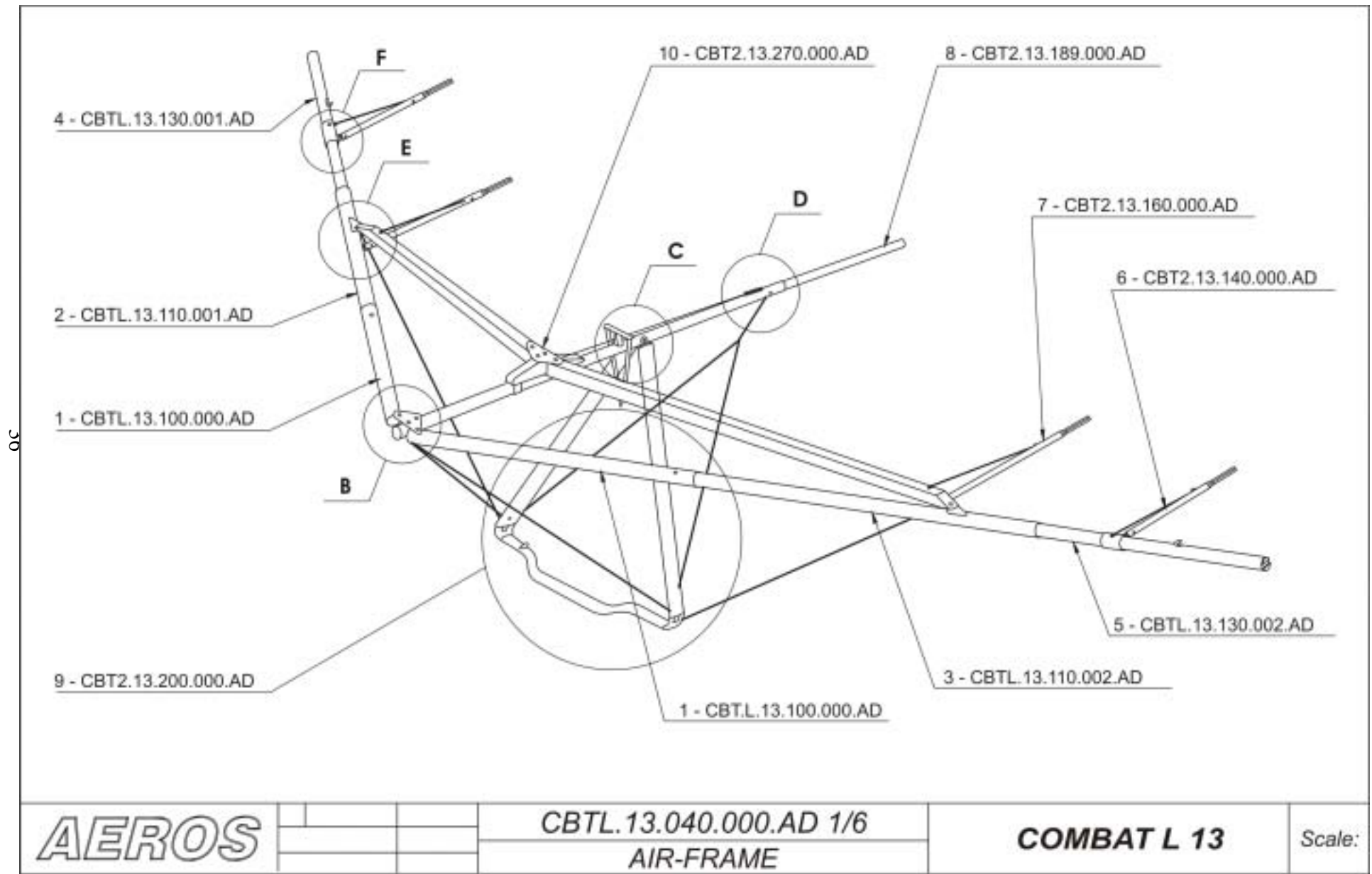
**COMBAT L 13, COMBAT L 14,  
 COMBAT L 15**

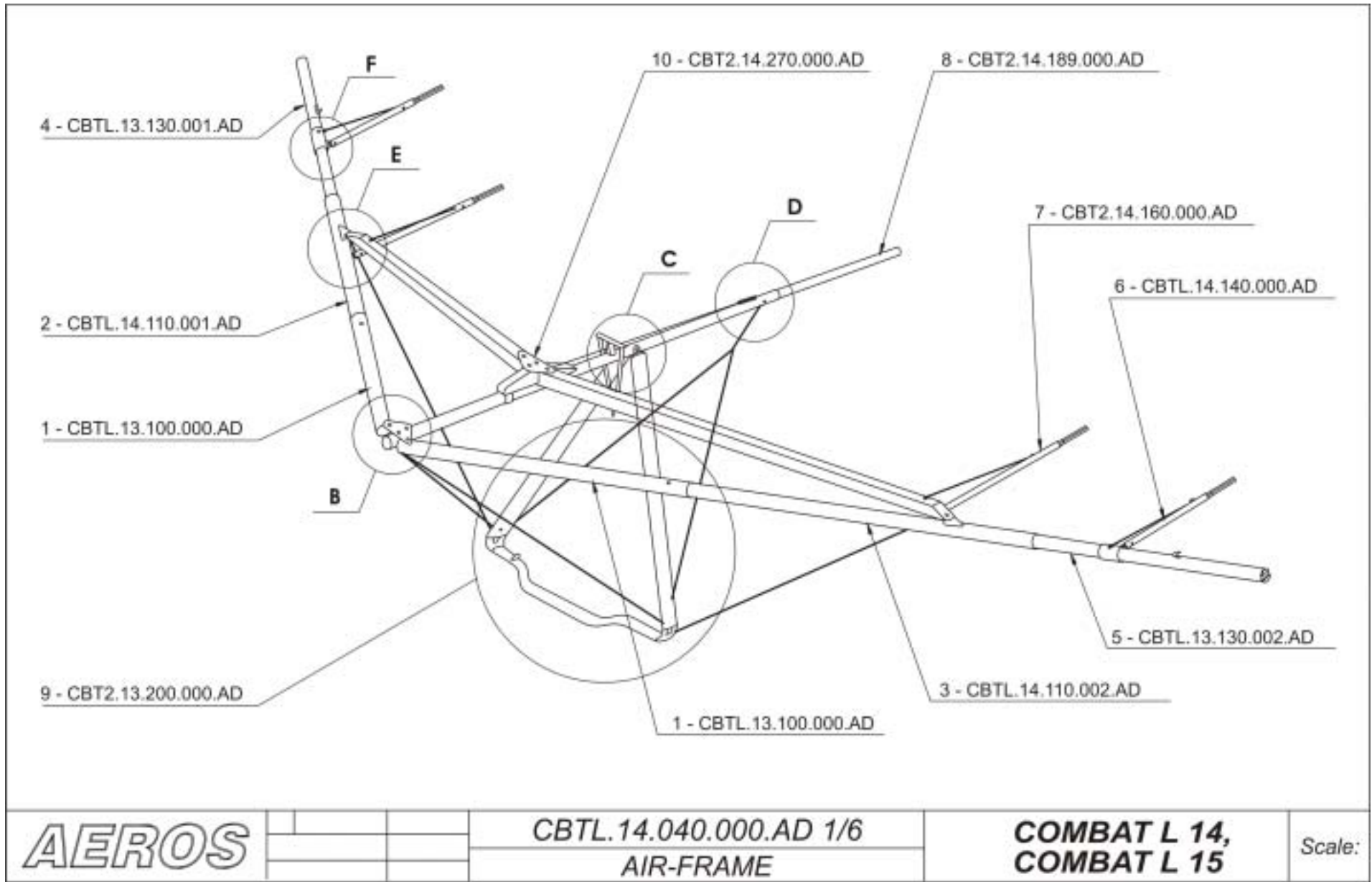
Scale:









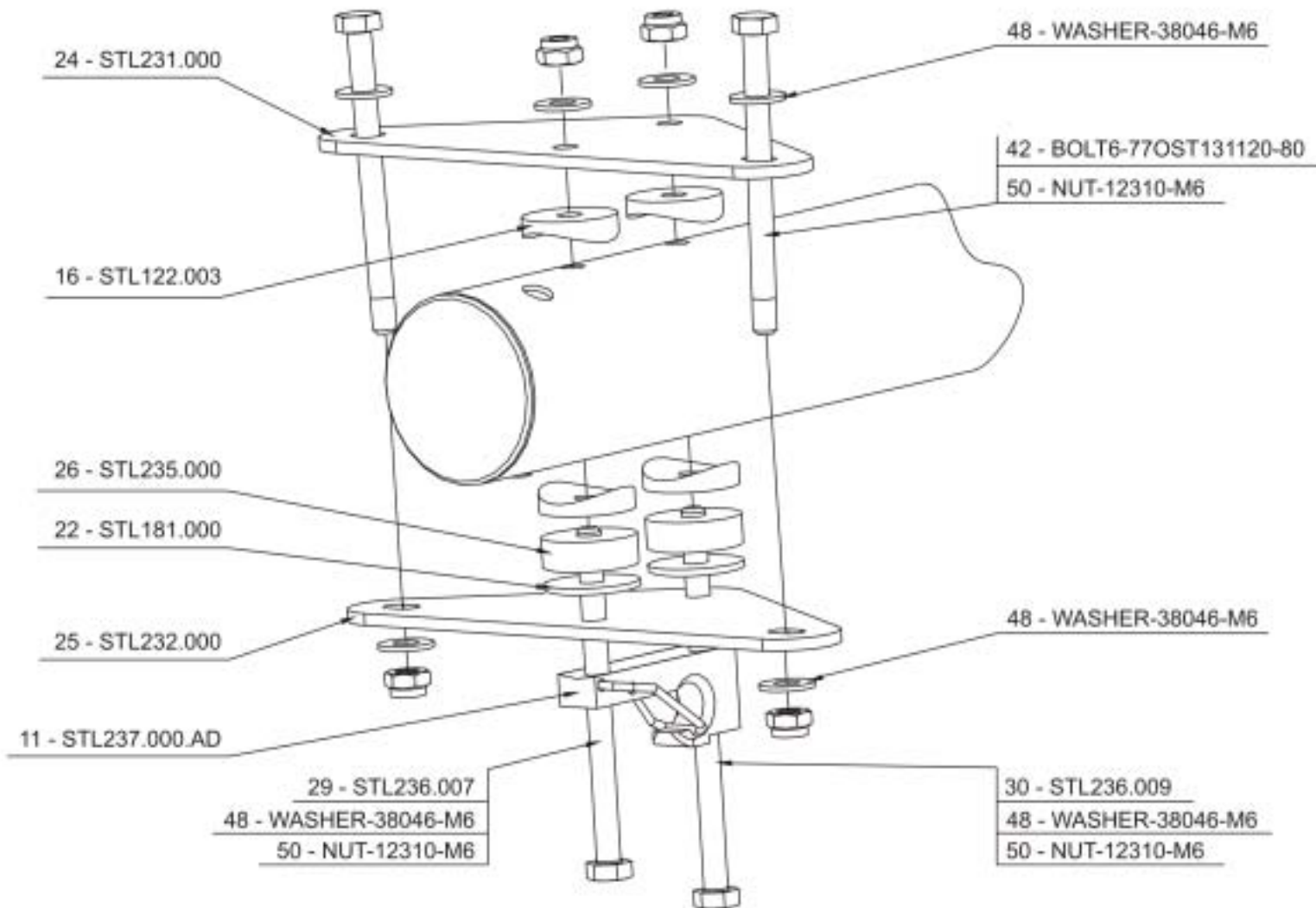


**AEROS**

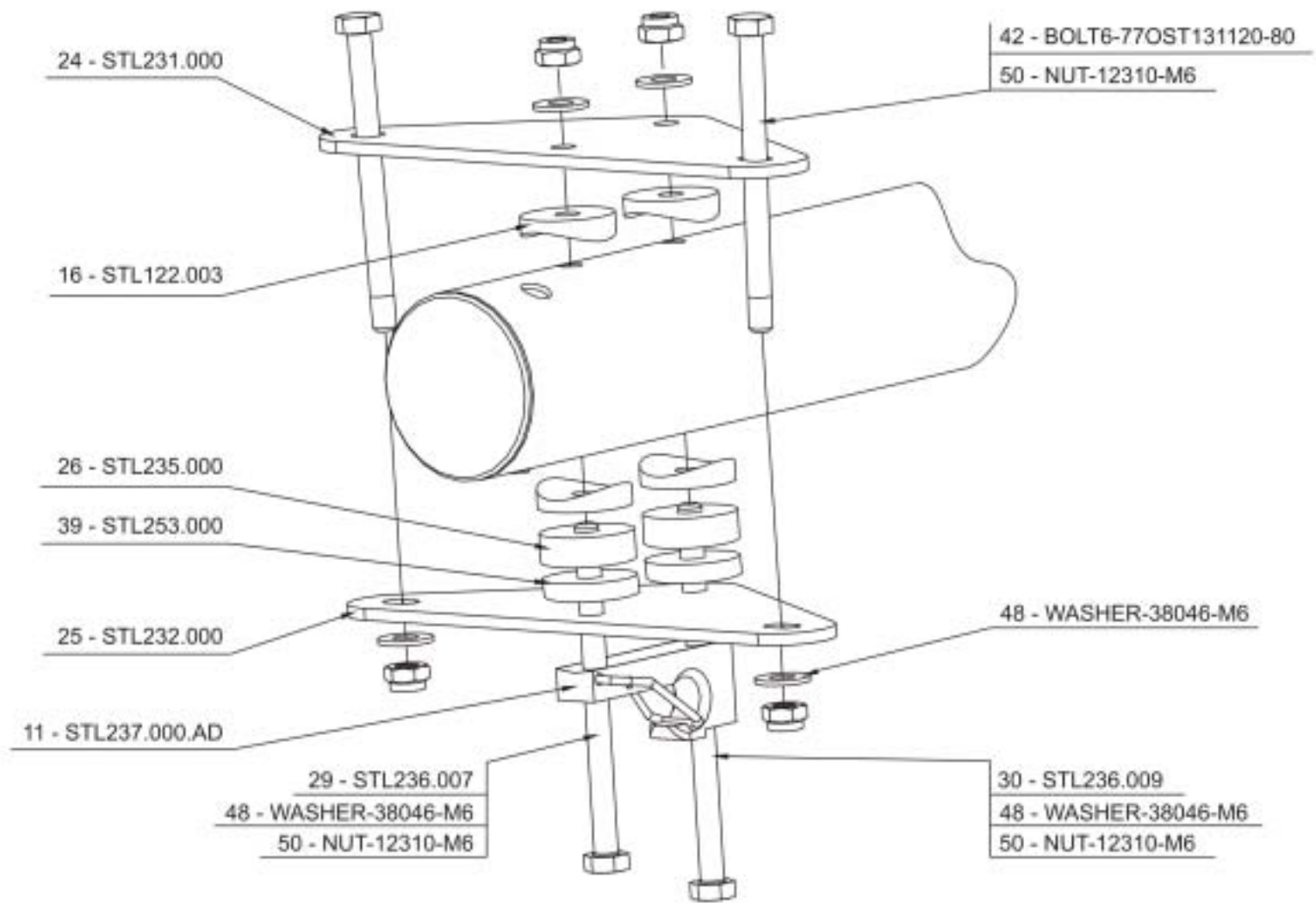
CBTL.14.040.000.AD 1/6  
AIR-FRAME

**COMBAT L 14,  
COMBAT L 15**

Scale:

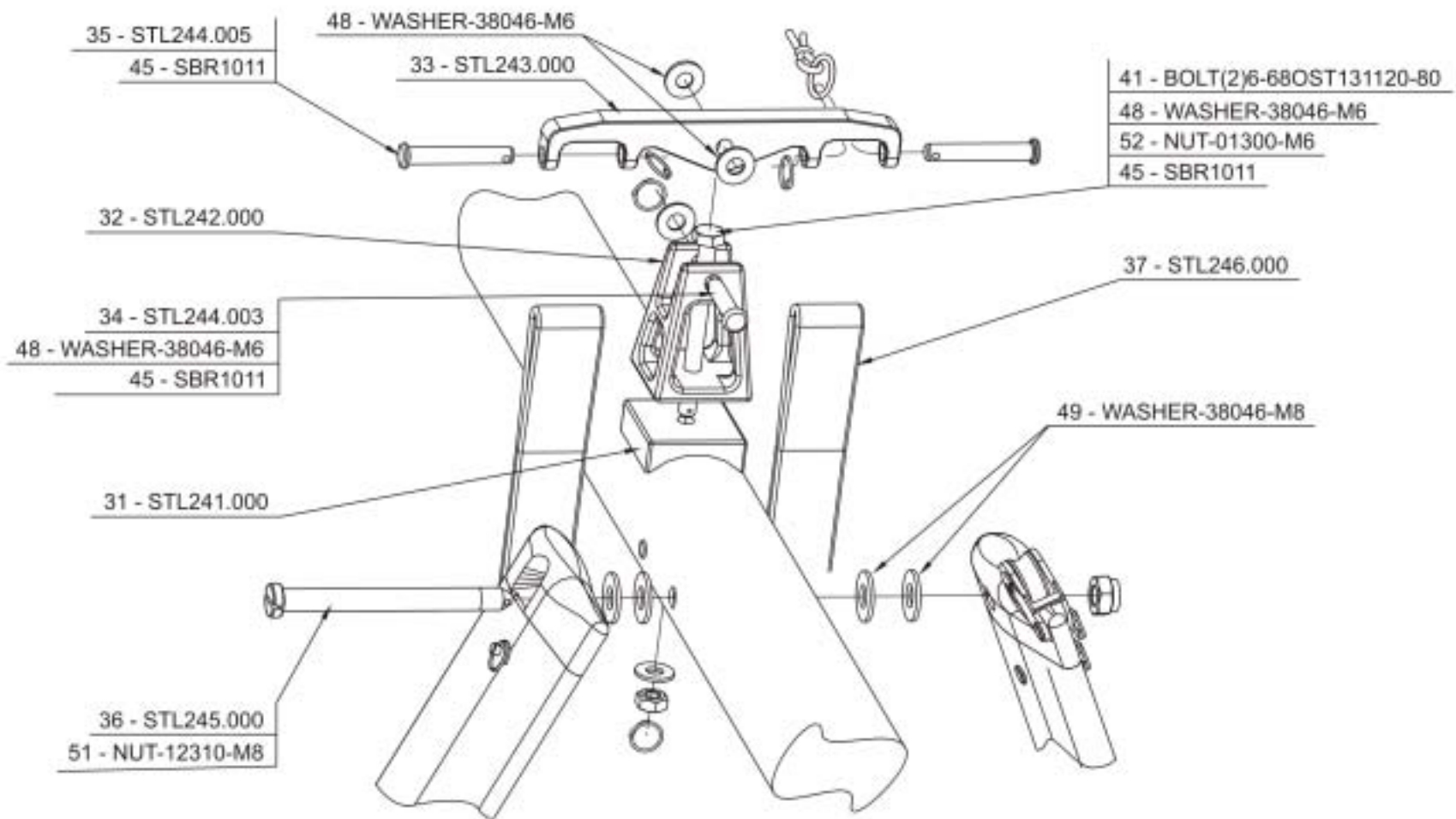

**AEROS**
**CBT2.13.040.000.AD 2/6**  
**AIRFRAME ZONE A**
**COMBAT 2 13, COMBAT 2 14**  
**COMBAT 2 15**

Scale:



<b>AEROS</b>			<b>CBTL.13.040.000.AD</b>	<b>COMBAT L 13, COMBAT L 14</b> <b>COMBAT L 15</b>	Scale:
			<b>AIRFRAME ZONE B</b>		

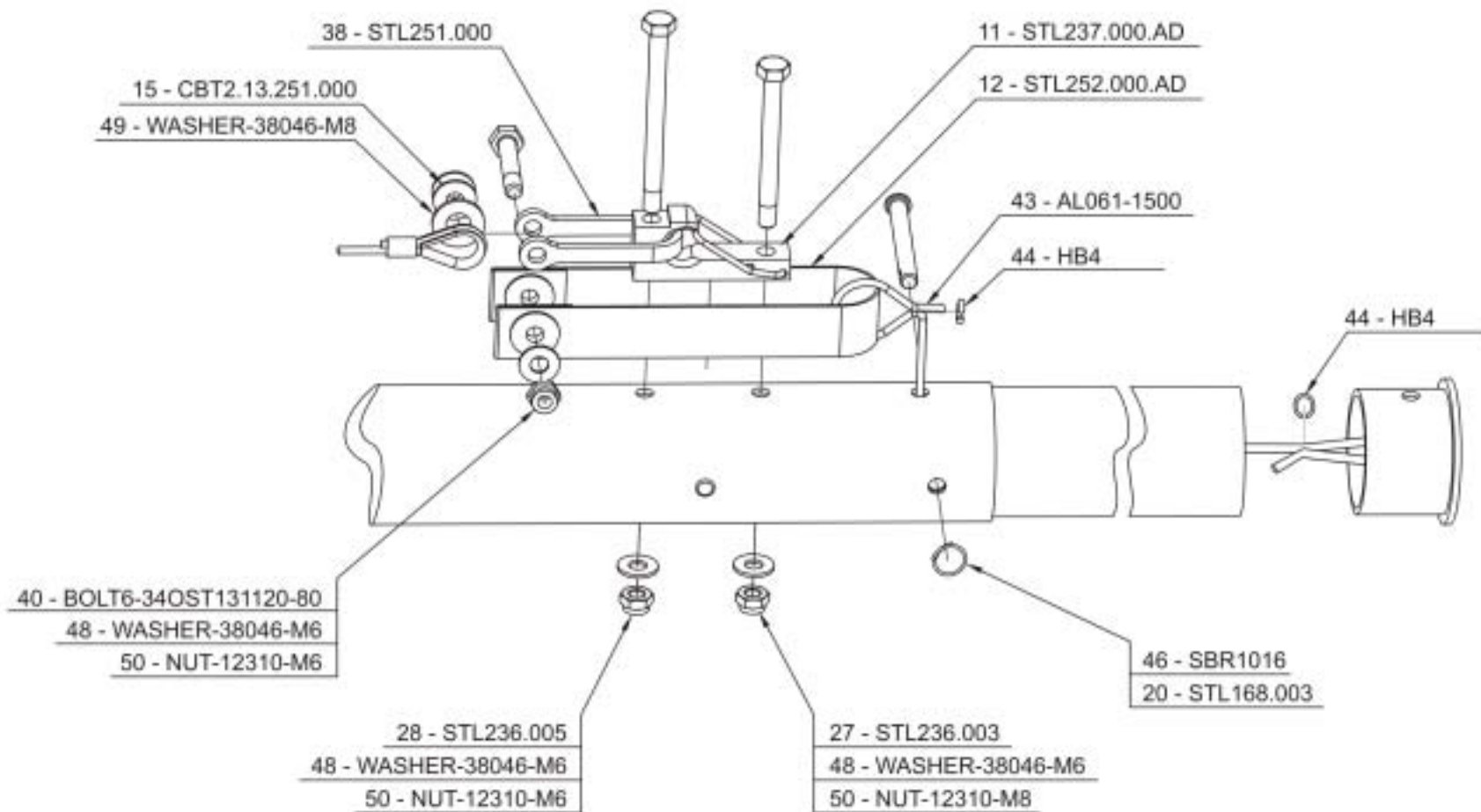



**AEROS**

 CBT2.13.040.000.AD 3/6  
 AIRFRAME ZONE C

 COMBAT 2 13, COMBAT L 13,  
 COMBAT 2 14, COMBAT L 14,  
 COMBAT 2 15, COMBAT L 15

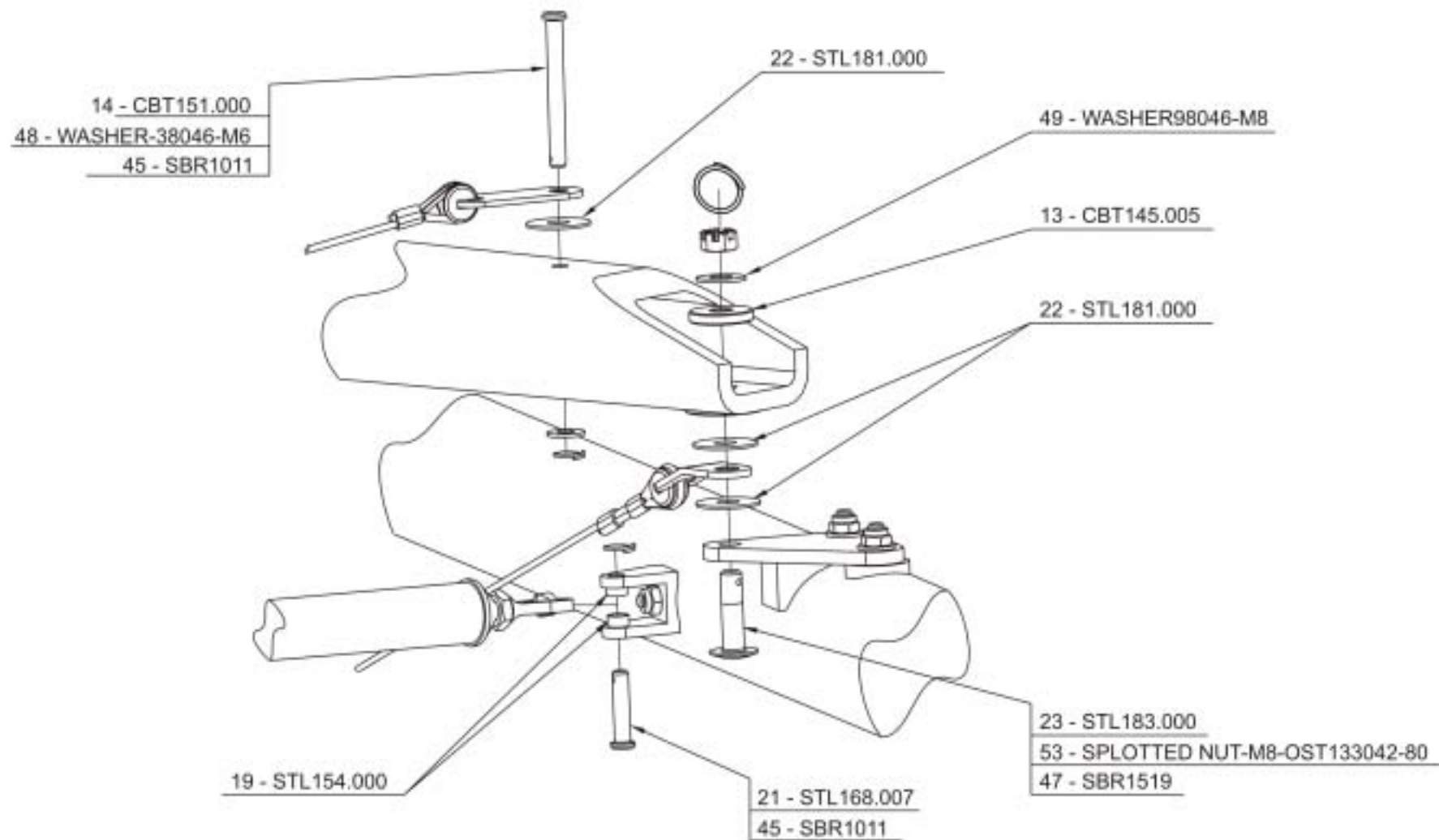
Scale:


**AEROS**

 CBT2.13.040.000.AD 4/6  
 AIRFRAME ZONE D

 COMBAT 2 13, COMBAT L 13,  
 COMBAT 2 14, COMBAT L 14,  
 COMBAT 2 15, COMBAT L 15

Scale:

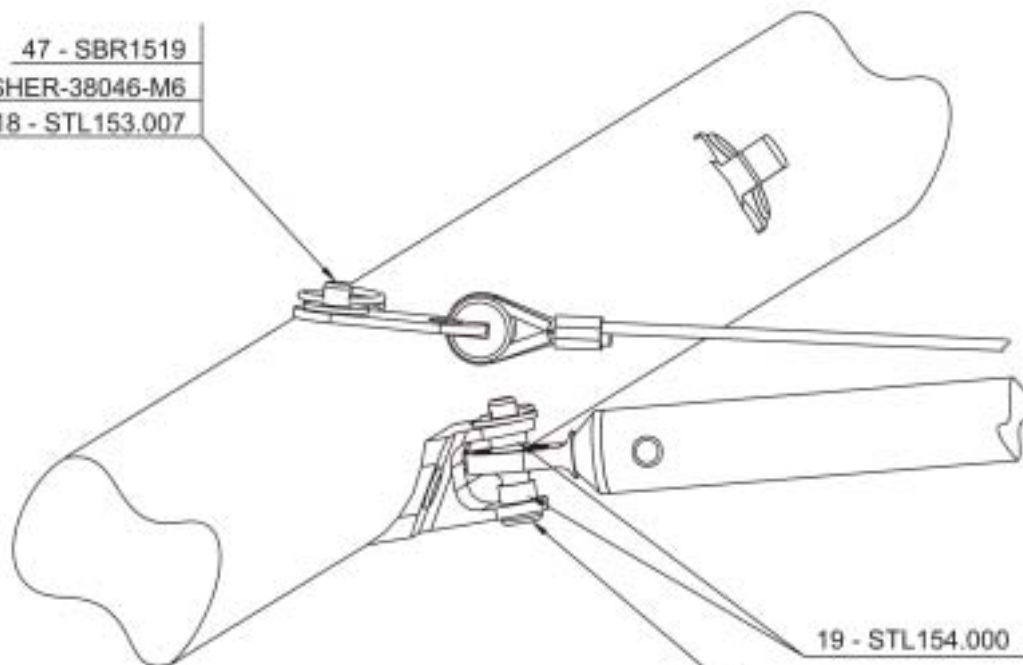

**AEROS**

 CBT2.13.040.000.AD 5/6  
 AIRFRAME ZONE E

 COMBAT 2 13, COMBAT L 13,  
 COMBAT 2 14, COMBAT L 14,  
 COMBAT 2 15, COMBAT L 15

Scale:

47 - SBR1519  
 48 - WASHER-38046-M6  
 18 - STL153.007



19 - STL154.000

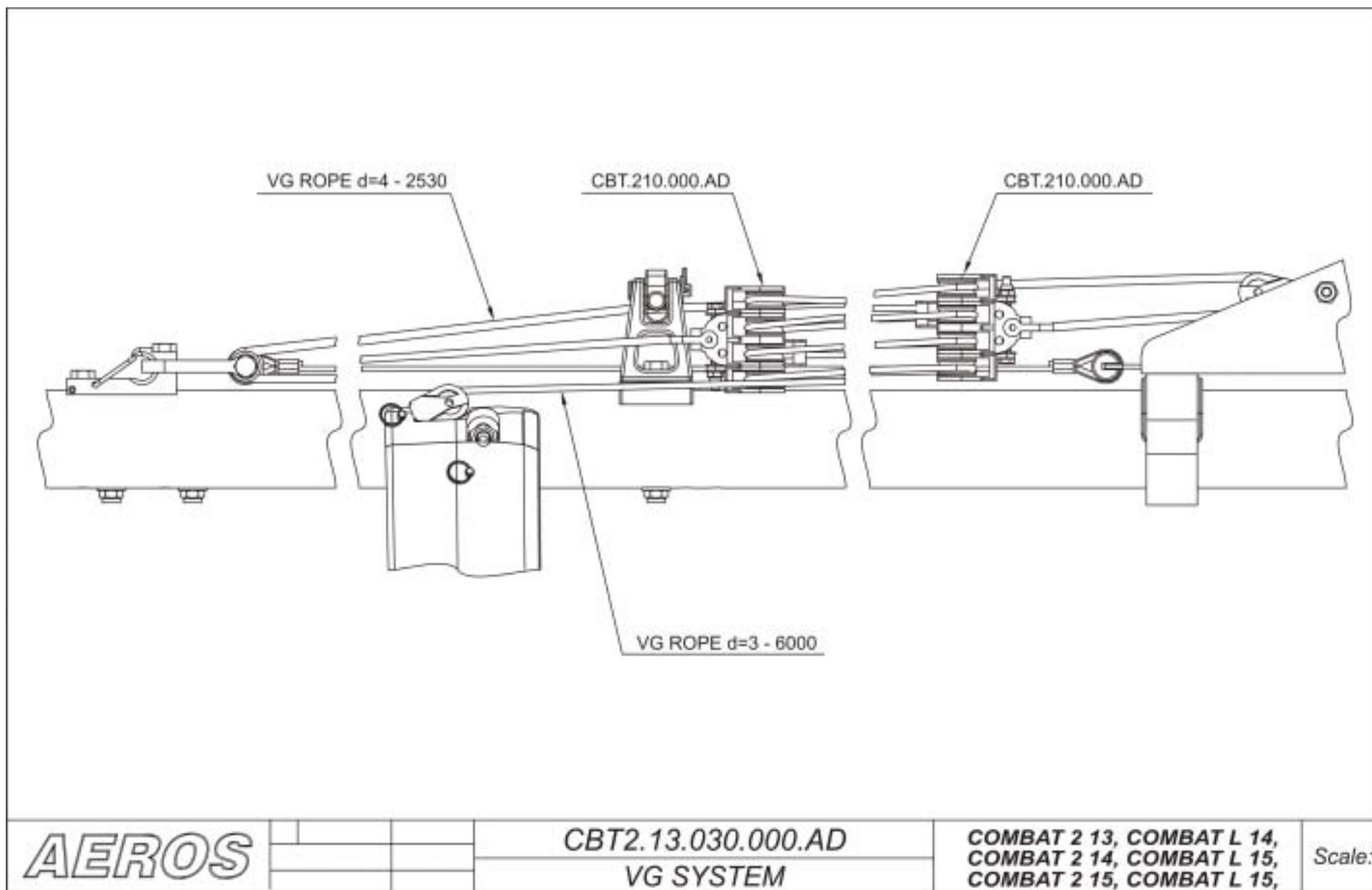
17 - STL153.003  
 48 - WASHER-38046-M6  
 45 SBR1011

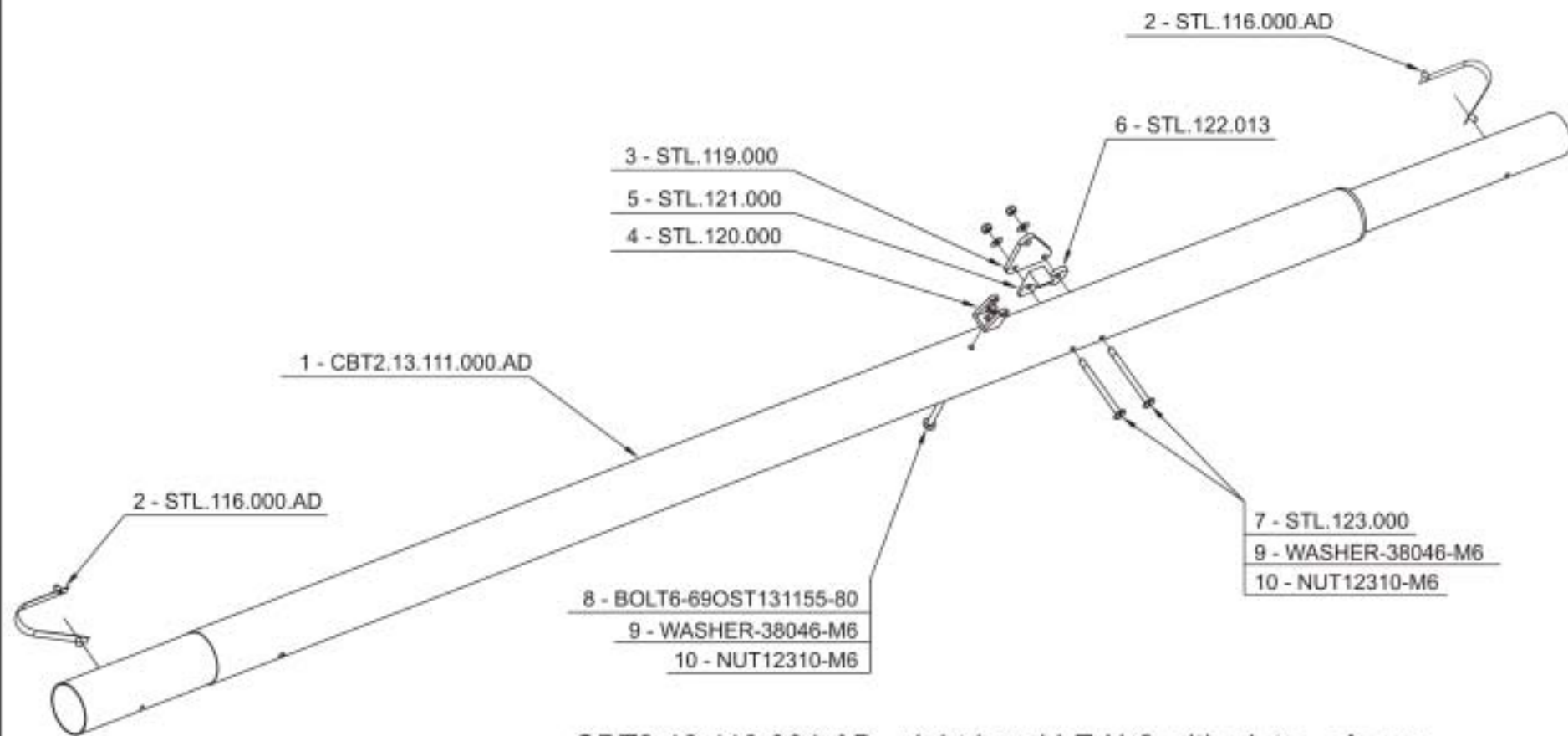
**AEROS**

CBT2.13.040.000.AD 6/6  
 AIRFRAME ZONE F

COMBAT 2 13, COMBAT L 13,  
 COMBAT 2 14, COMBAT L 14,  
 COMBAT 2 15, COMBAT L 15

Scale:





CBT2.13.110.001.AD - right hand LE №2 with plate - **shown**

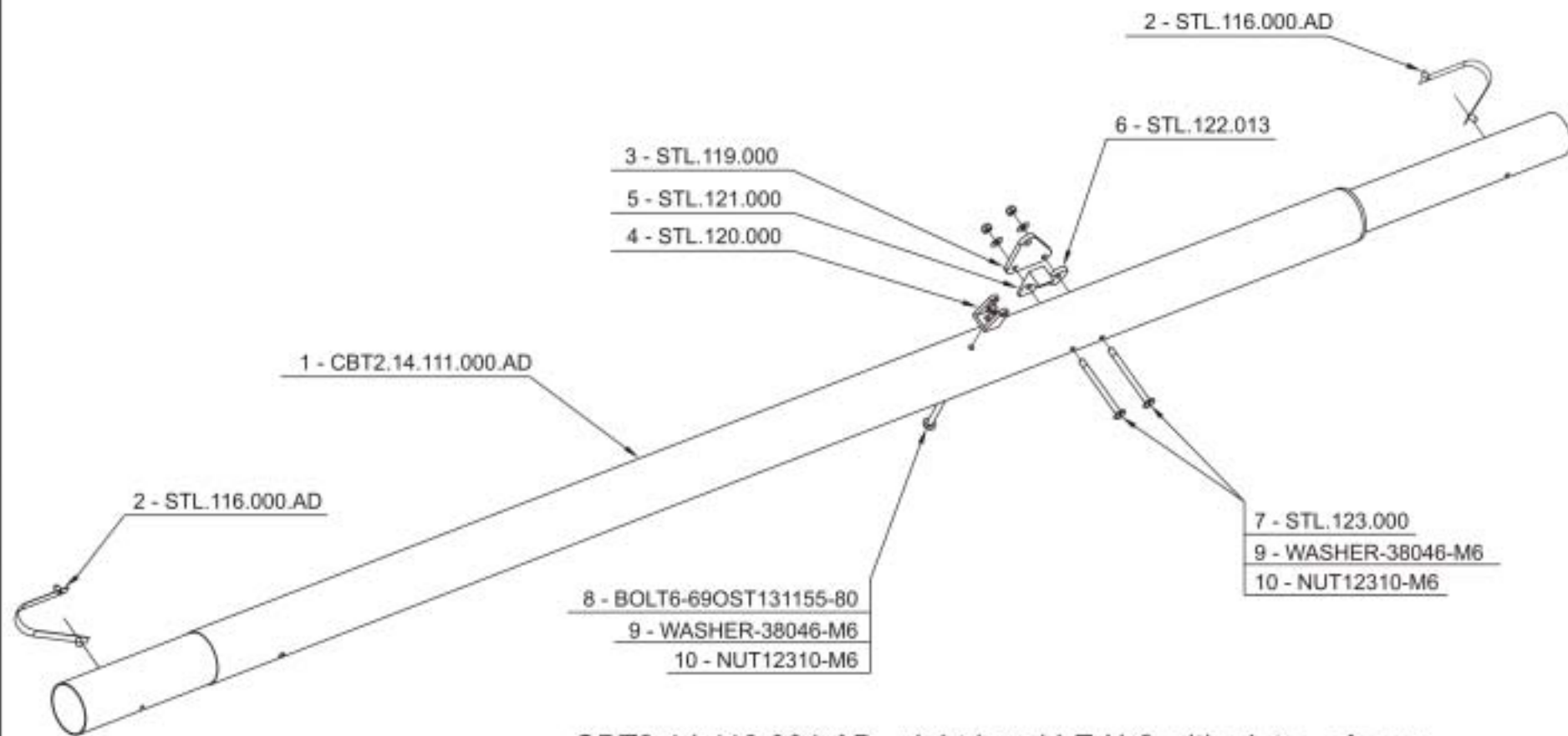
CBT2.13.110.002.AD - left hand LE №2 with plate - **mirror reflection**

**AEROS**

CBT2.13.110.001.AD  
LE TUBE №2 WITH PLATE RIGHT

**COMBAT 2 13**

Scale:



CBT2.14.110.001.AD - right hand LE №2 with plate - **shown**

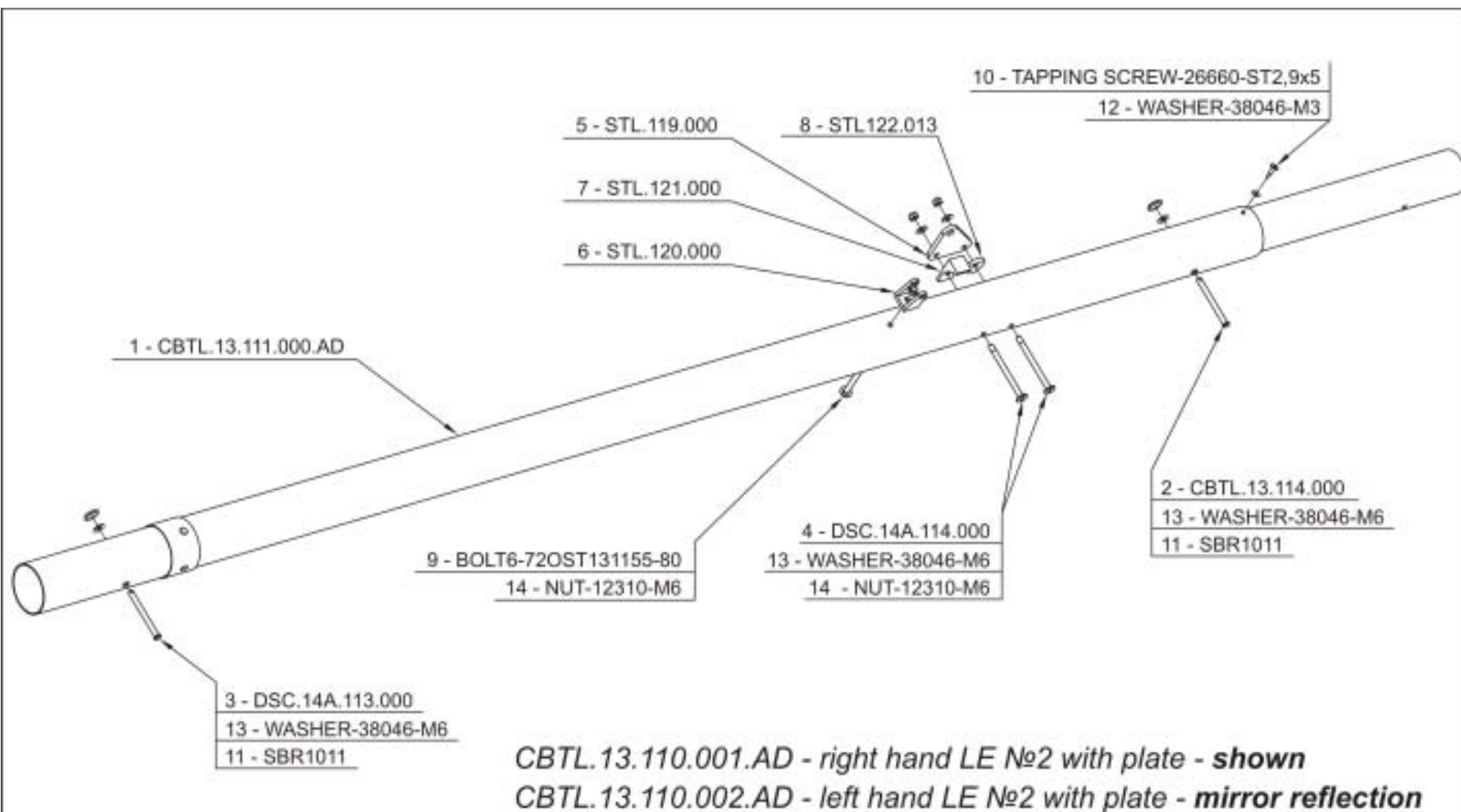
CBT2.14.110.002.AD - left hand LE №2 with plate - **mirror reflection**

**AEROS**

CBT2.14.110.001.AD  
LE TUBE №2 WITH PLATE RIGHT

**COMBAT 2 14,  
COMBAT 2 15**

Scale:

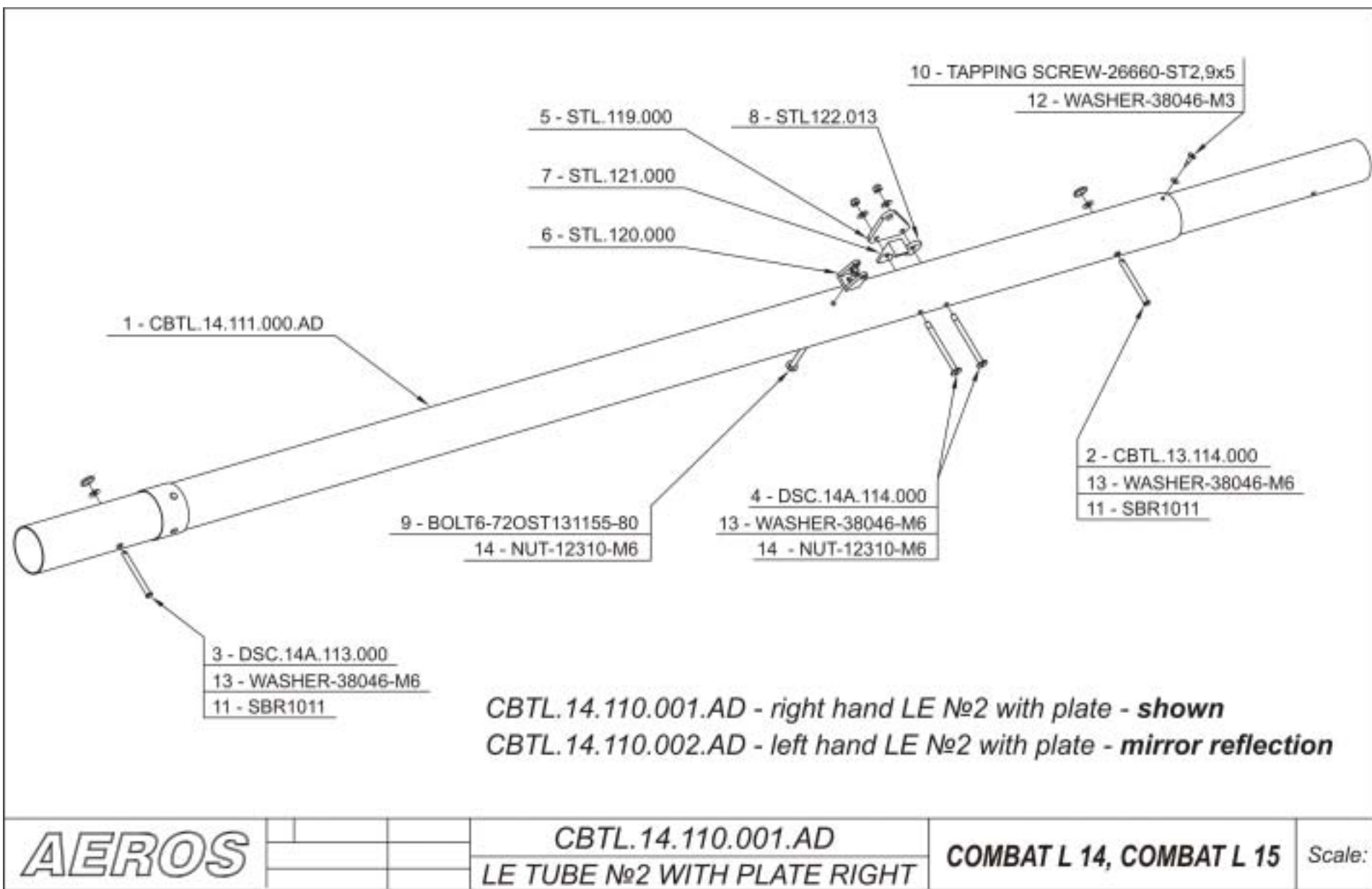

**AEROS**

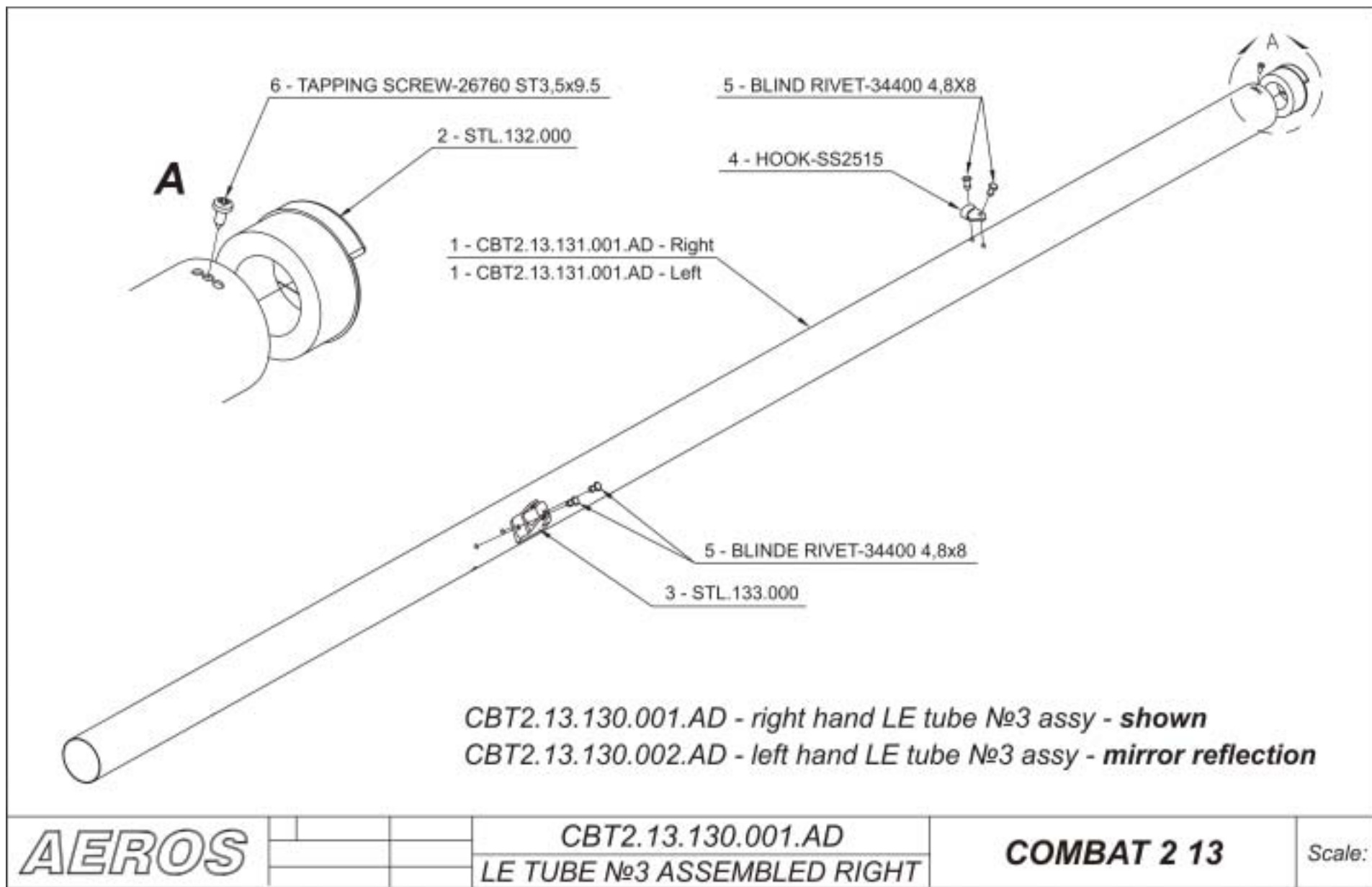
 CBTL.13.110.001.AD  
 LE TUBE №2 WITH PLATE RIGHT

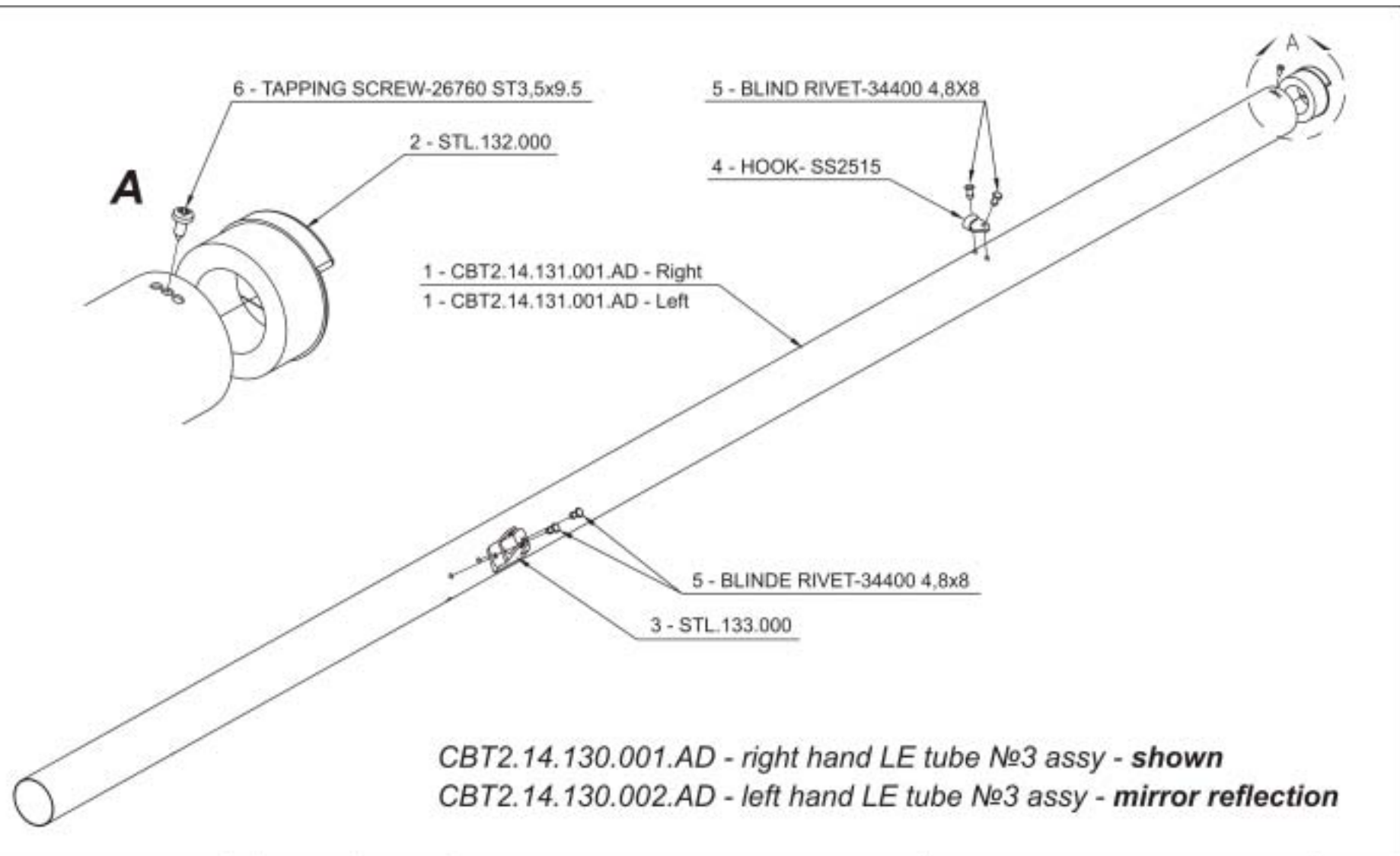
**COMBAT L 13**

Scale:

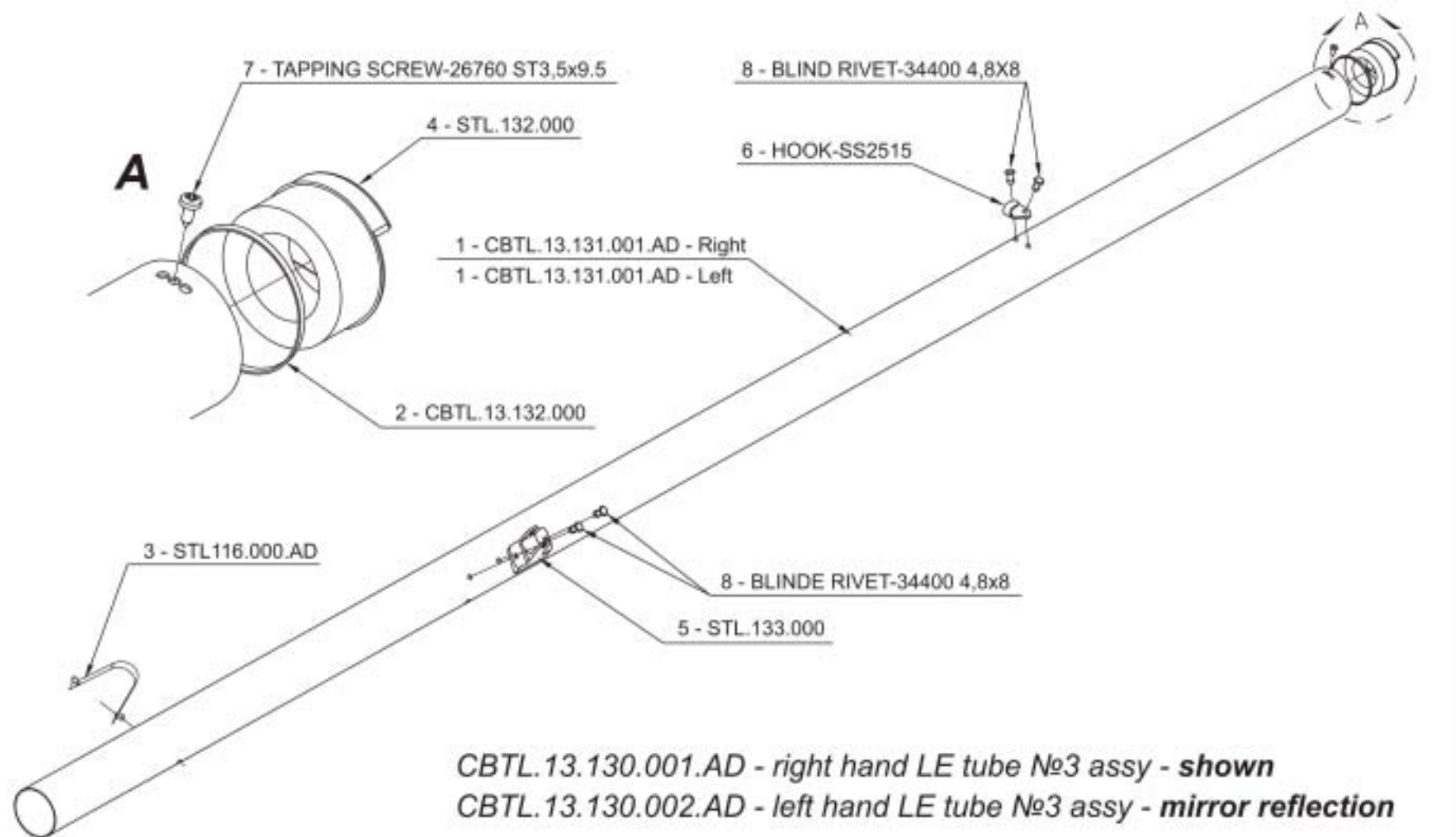







**AEROS**

			CBT2.14.130.001.AD	COMBAT 2 14, COMBAT 2 15	Scale:
			LE TUBE №3 ASSEMBLED RIGHT		

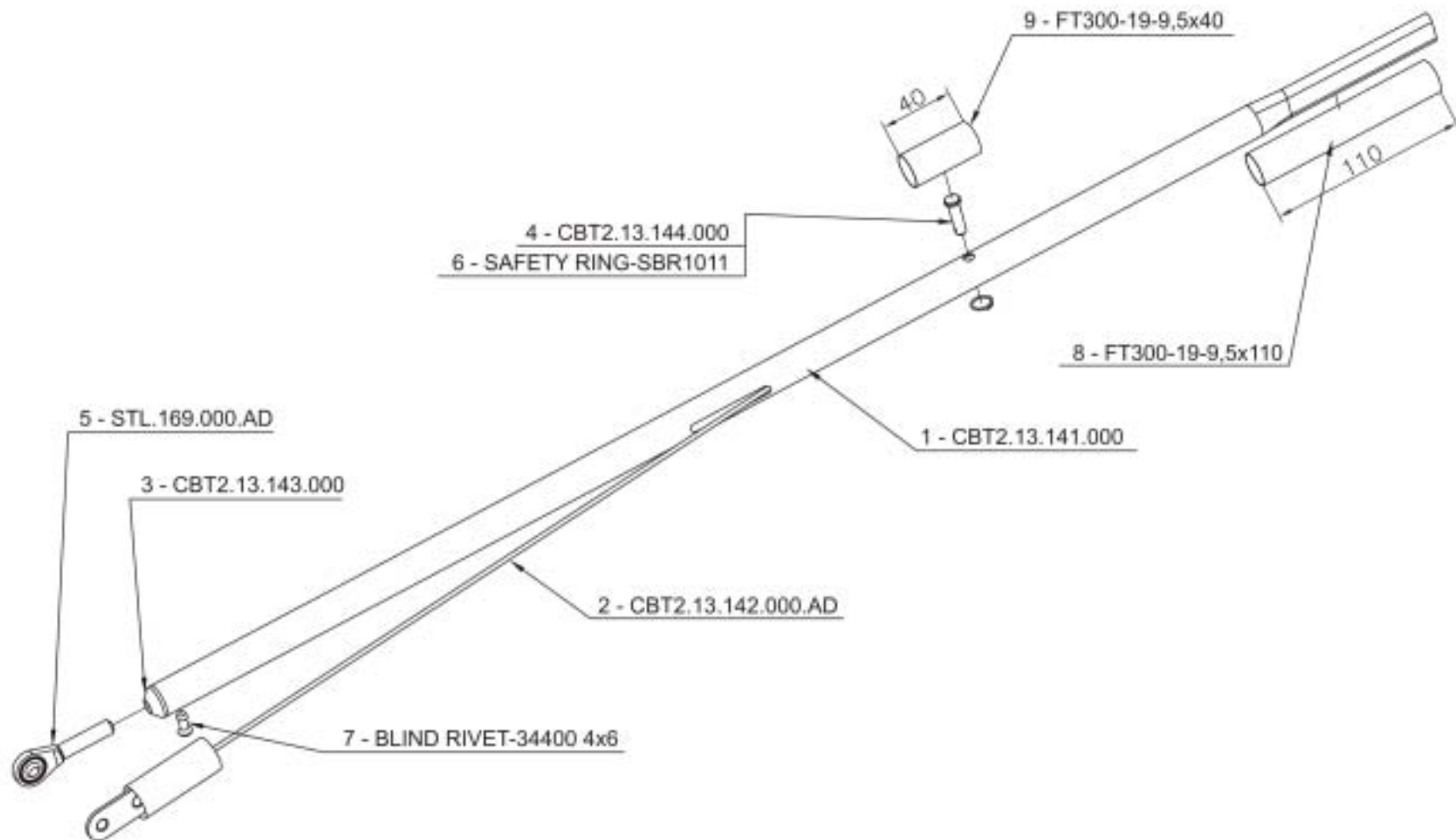


**AEROS**

CBTL.13.130.001.AD  
LE TUBE №3 ASSEMBLED RIGHT

COMBAT L 13, COMBAT L 14  
COMBAT L 15

Scale:

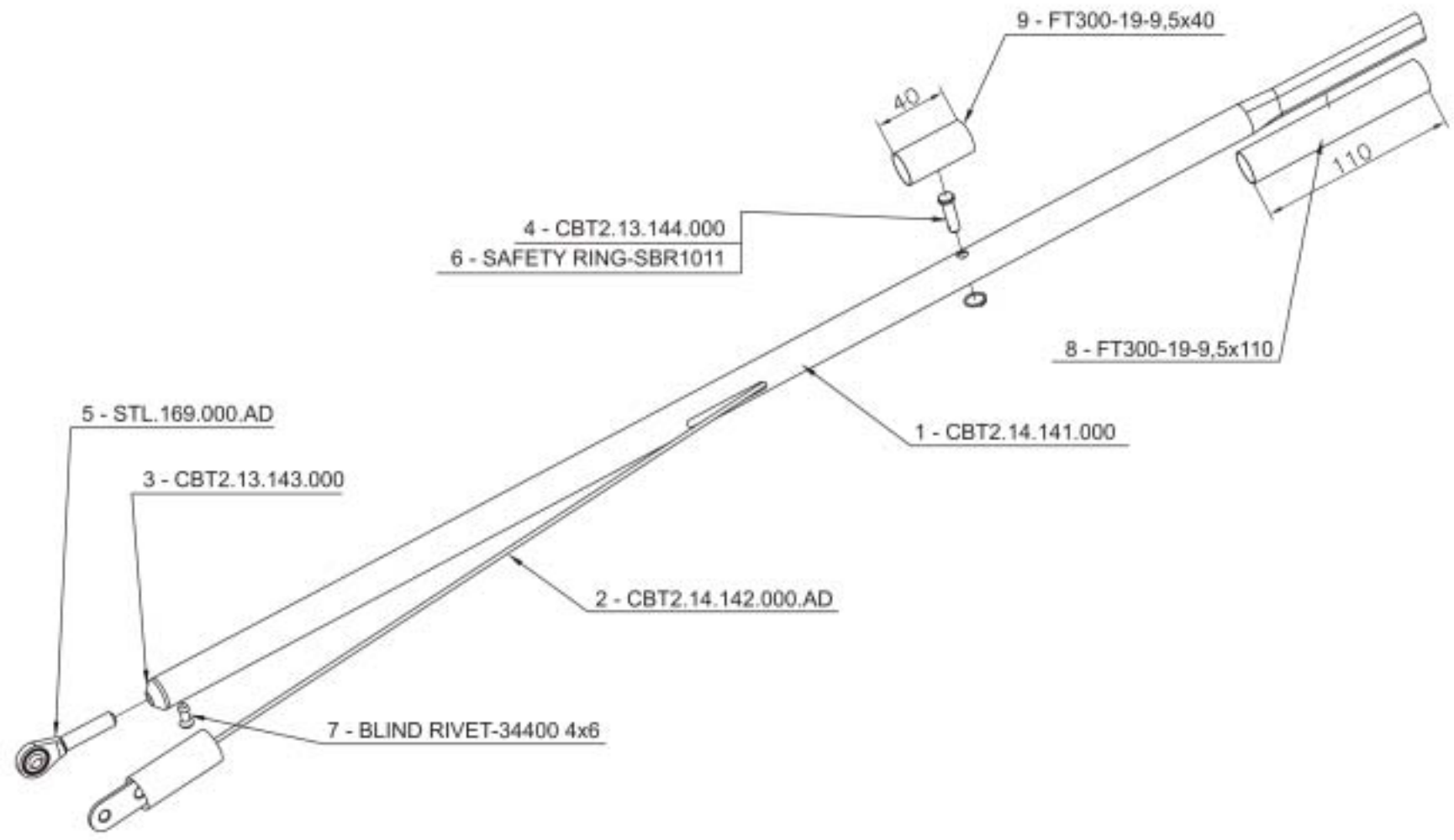


**AEROS**

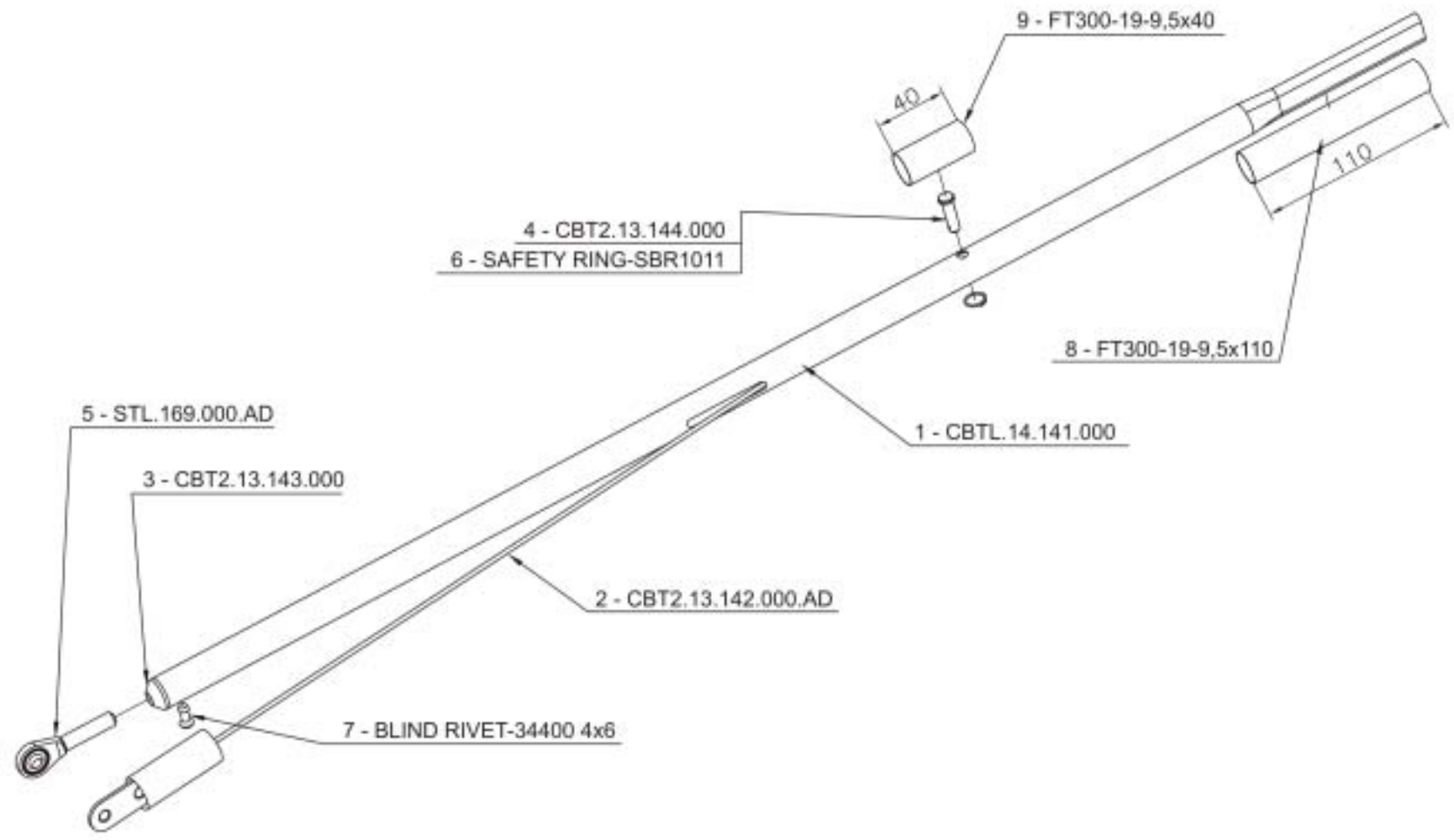
CBT2.13.140.000.AD  
WASHOUT STICK

**COMBAT 2 13**  
**COMBAT L 13**

Scale:

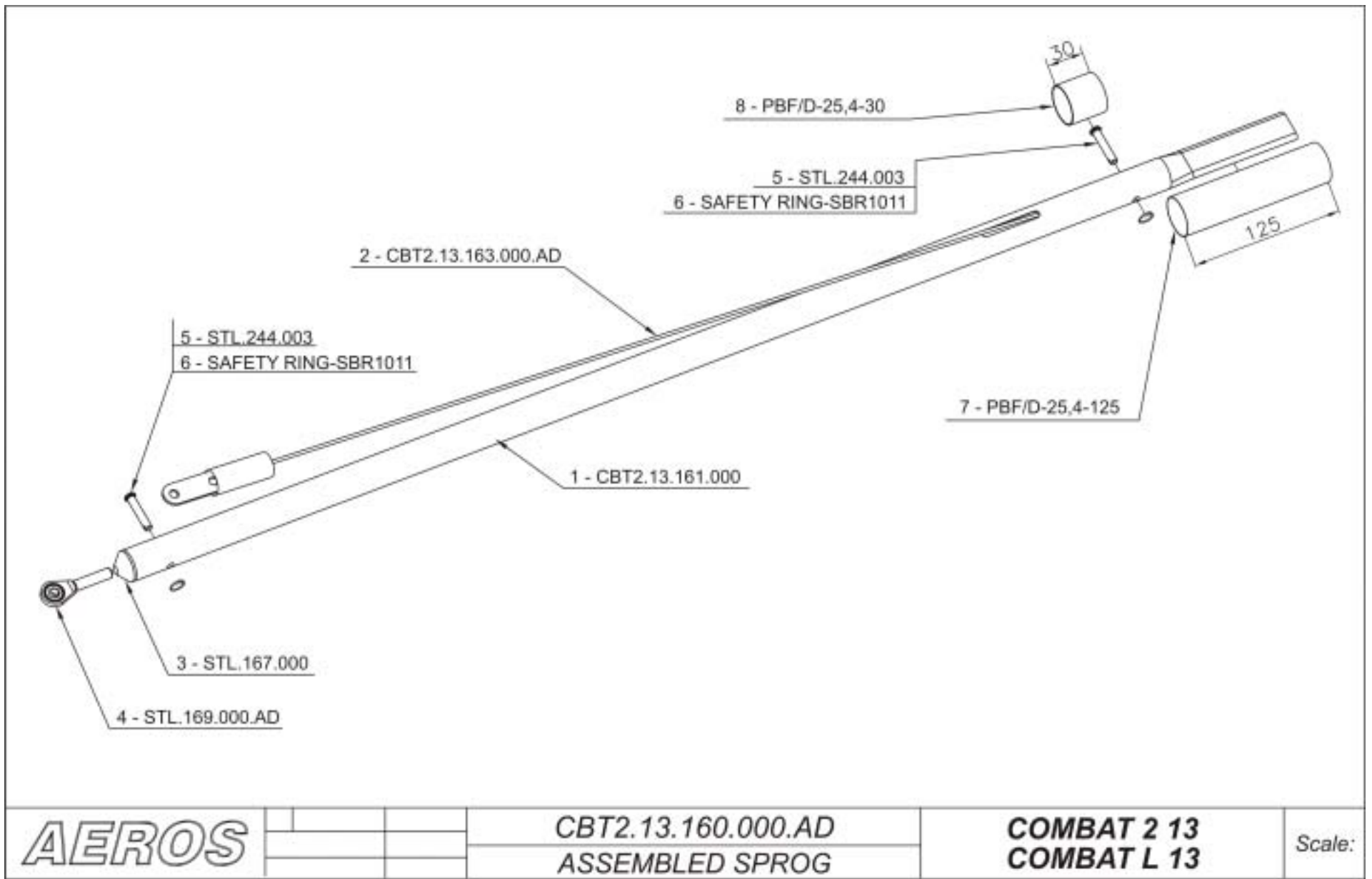


<b>AEROS</b>			CBT2.14.140.000.AD	<b>COMBAT 2 14</b> <b>COMBAT 2 15</b>	Scale:
			WASHOUT STICK		

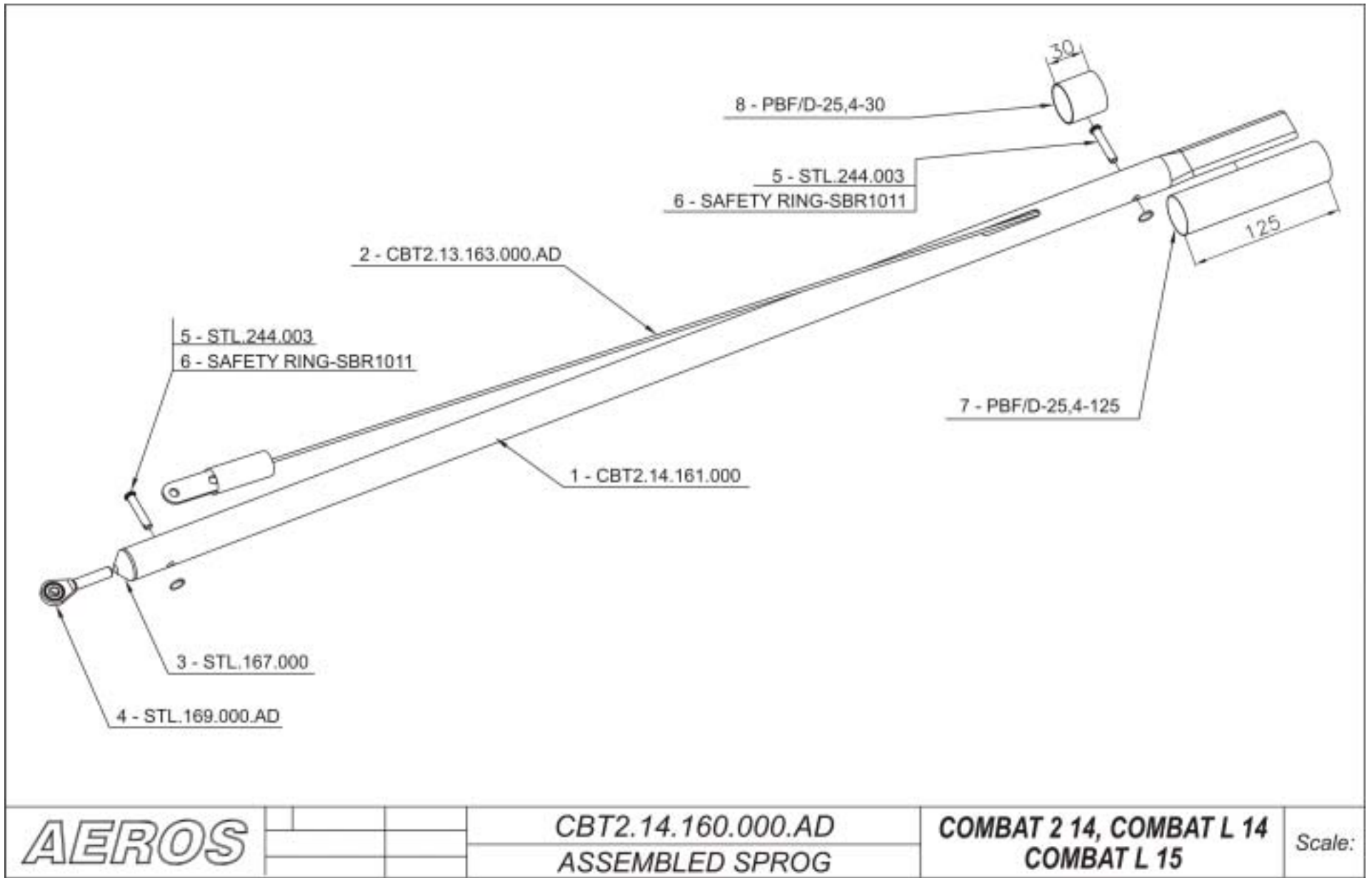


<b>AEROS</b>		<b>CBTL.14.140.000.AD</b>	<b>COMBAT L 14</b> <b>COMBAT L 15</b>	Scale:
		<b>WASHOUT STICK</b>		

55

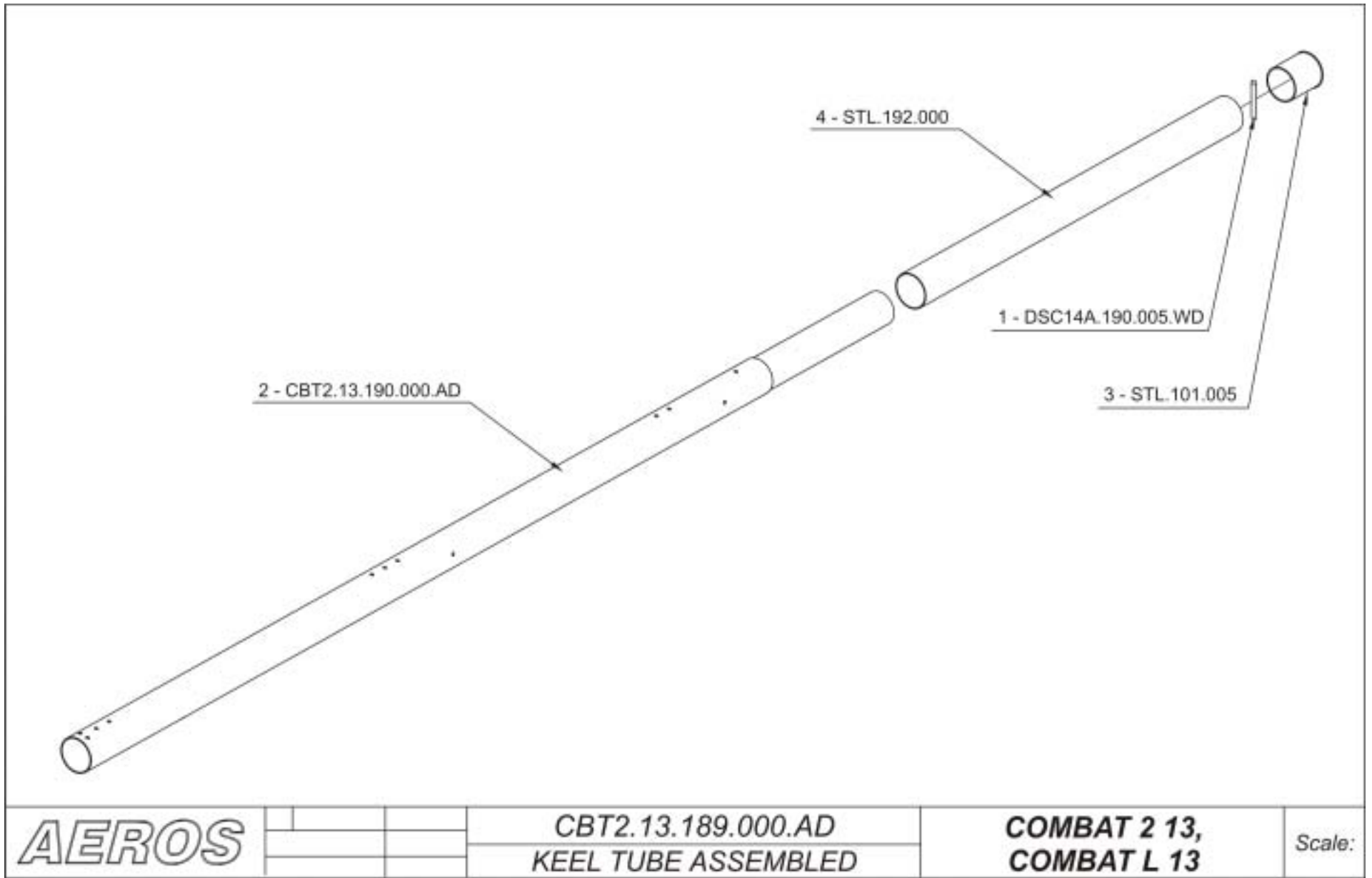


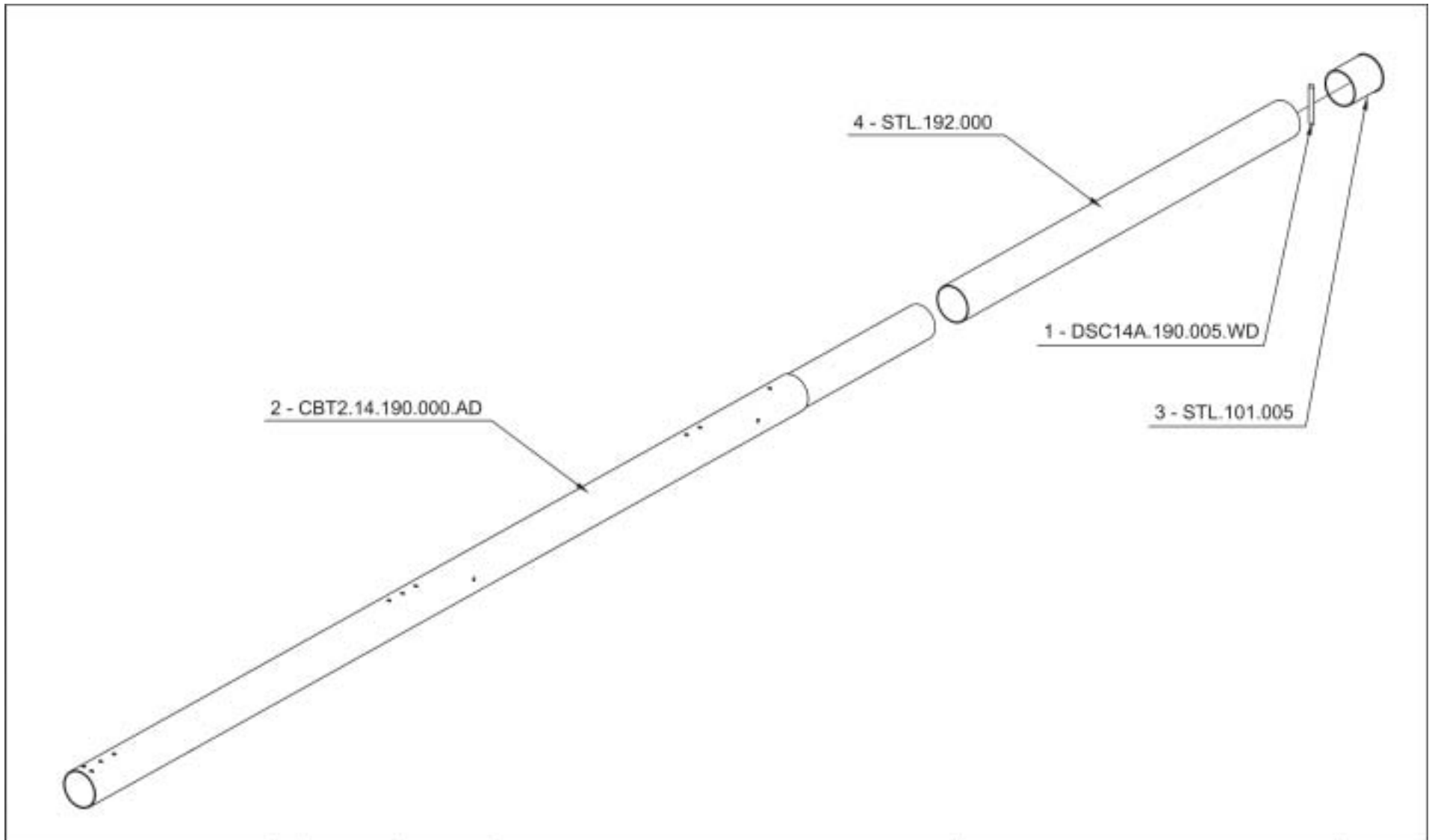




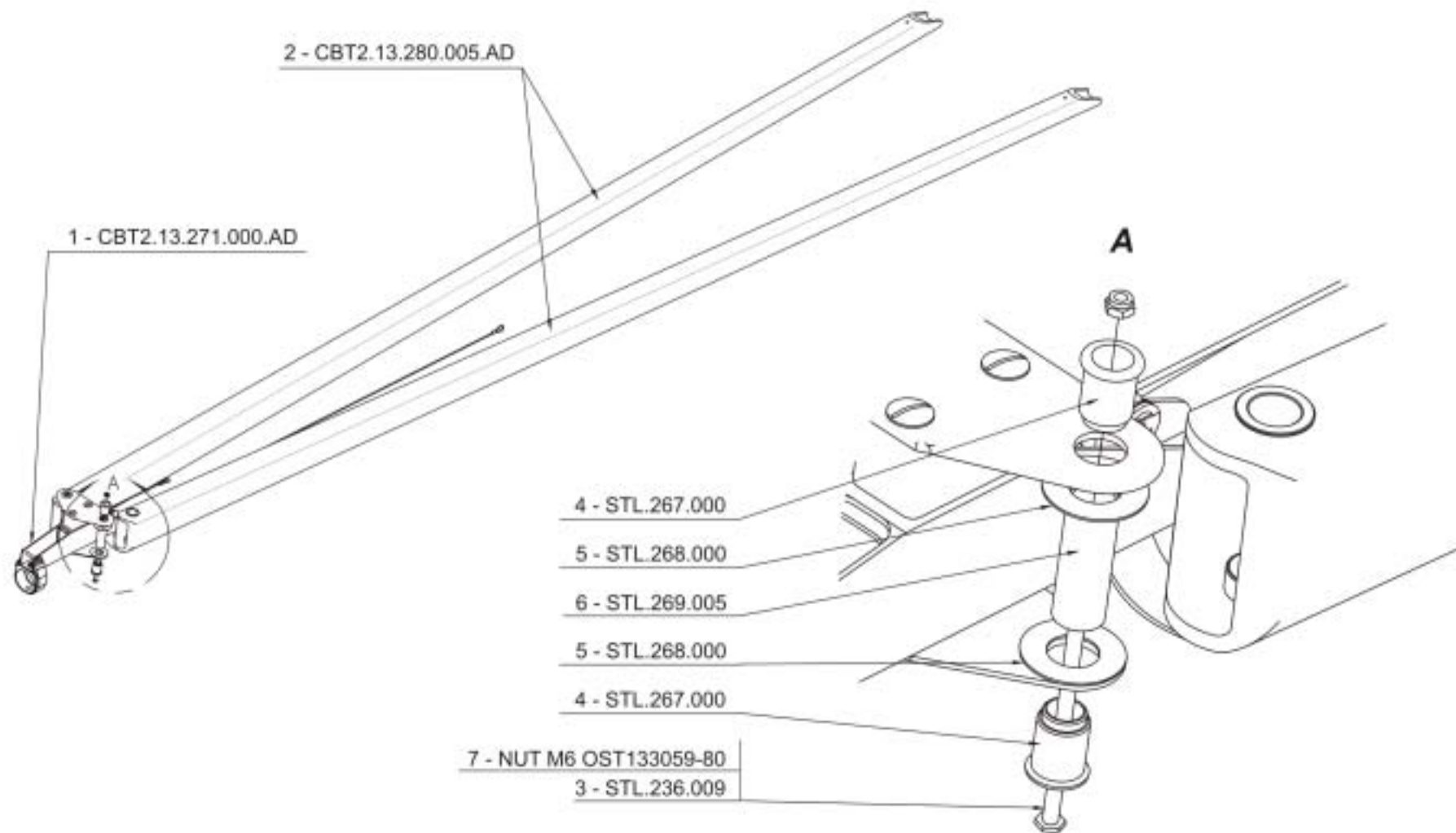
<b>AEROS</b>			CBT2.14.160.000.AD	COMBAT 2 14, COMBAT L 14 COMBAT L 15	Scale:
			ASSEMBLED SPROG		

57





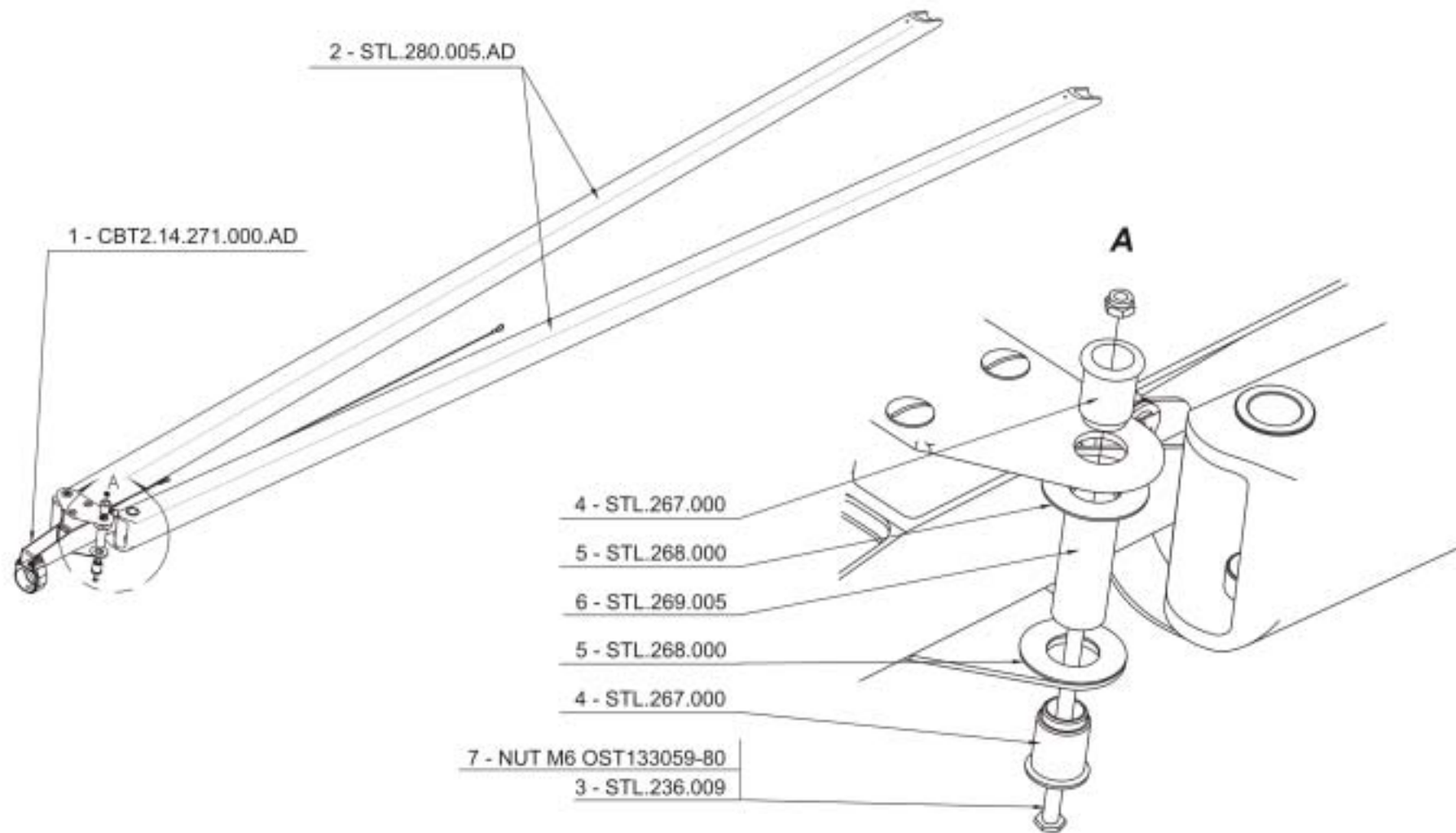
<b>AEROS</b>		CBT2.14.189.000.AD	COMBAT 2 14, COMBAT L 14, COMBAT L 15	Scale:
		KEEL TUBE ASSEMBLED		


**AEROS**

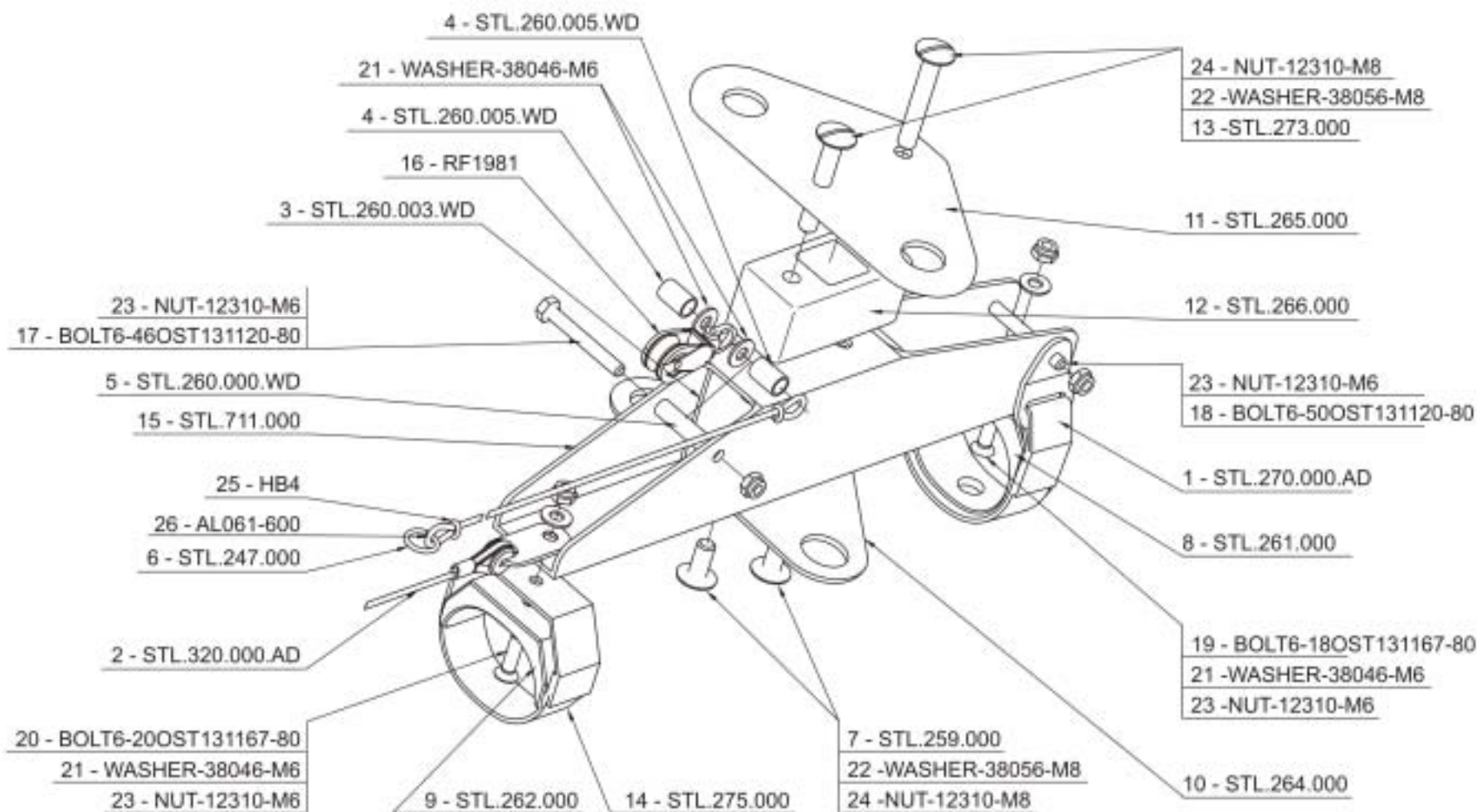
 CBT2.13.270.000.AD  
 X BEAM ASSEMBLED

**COMBAT 2 13,  
 COMBAT L 13**

Scale:



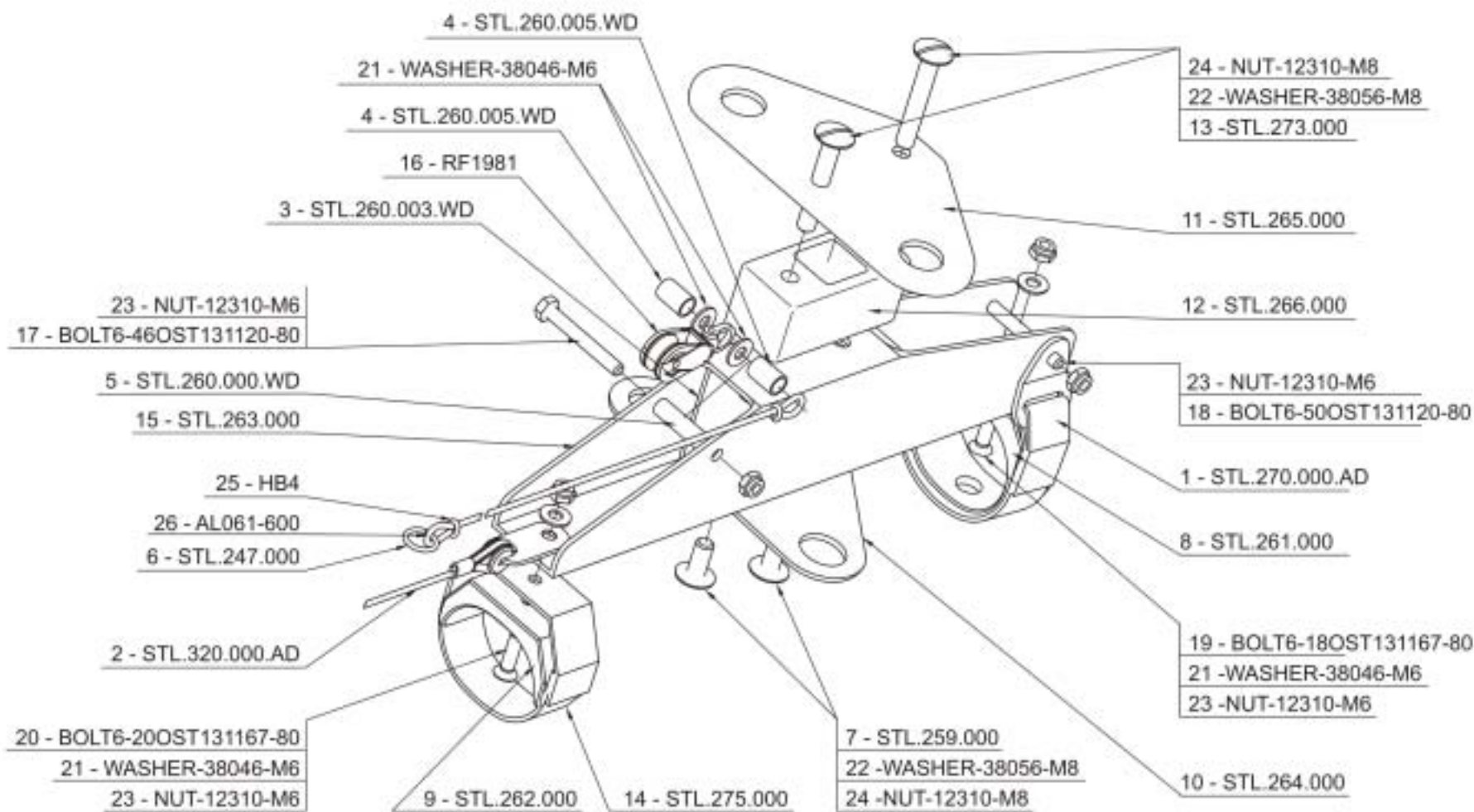
<b>AEROS</b>			<b>CBT2.14.270.000.AD</b>	<b>COMBAT 2 14, COMBAT 2 15, COMBAT L 14, COMBAT L 15</b>	Scale:
			<b>X BEAM ASSEMBLED</b>		


**AEROS**

 CBT2.13.271.000.AD  
 XBAR CENTER

**COMBAT 2 13,  
 COMBAT L 13**

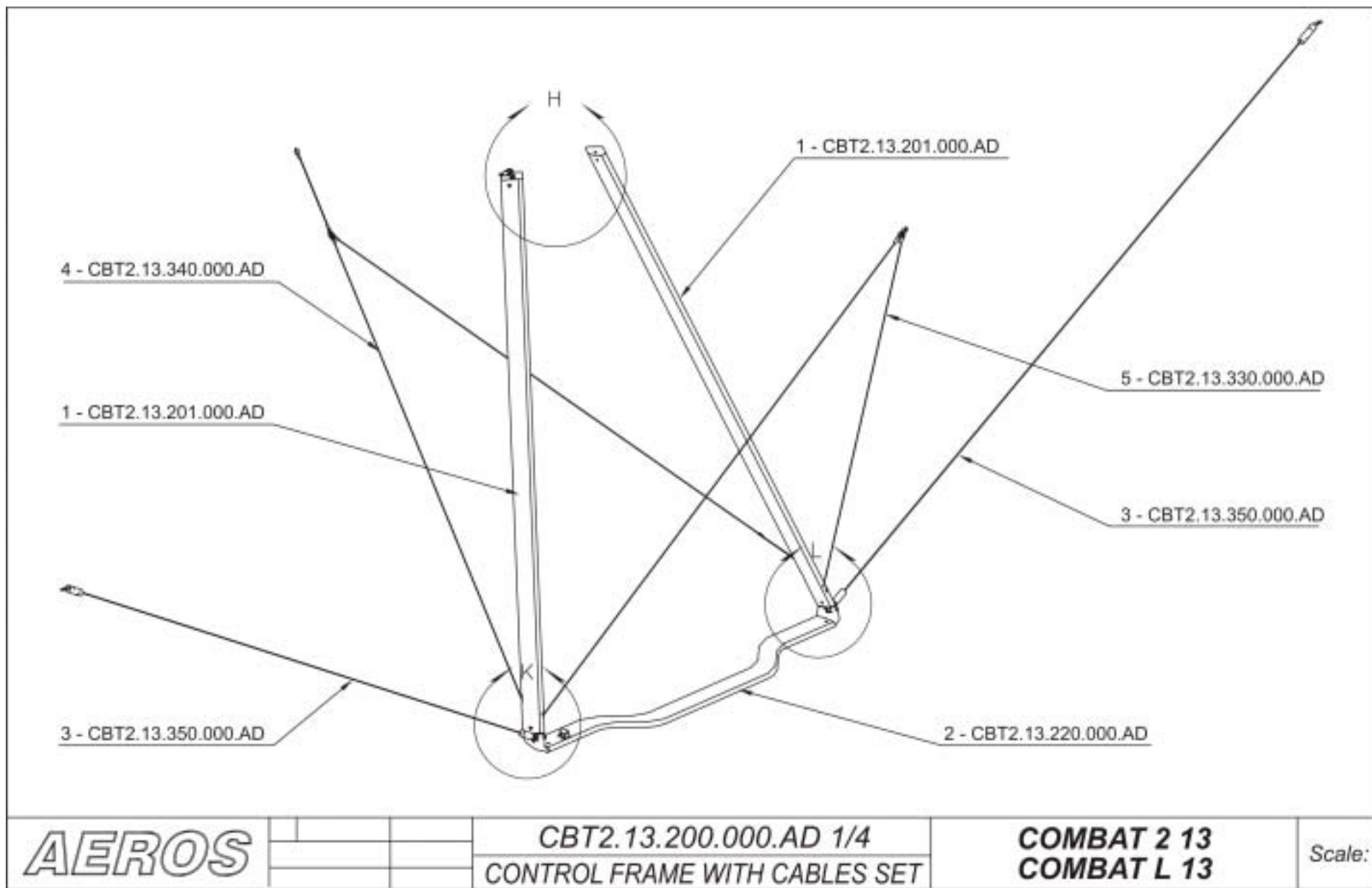
Scale:


**AEROS**

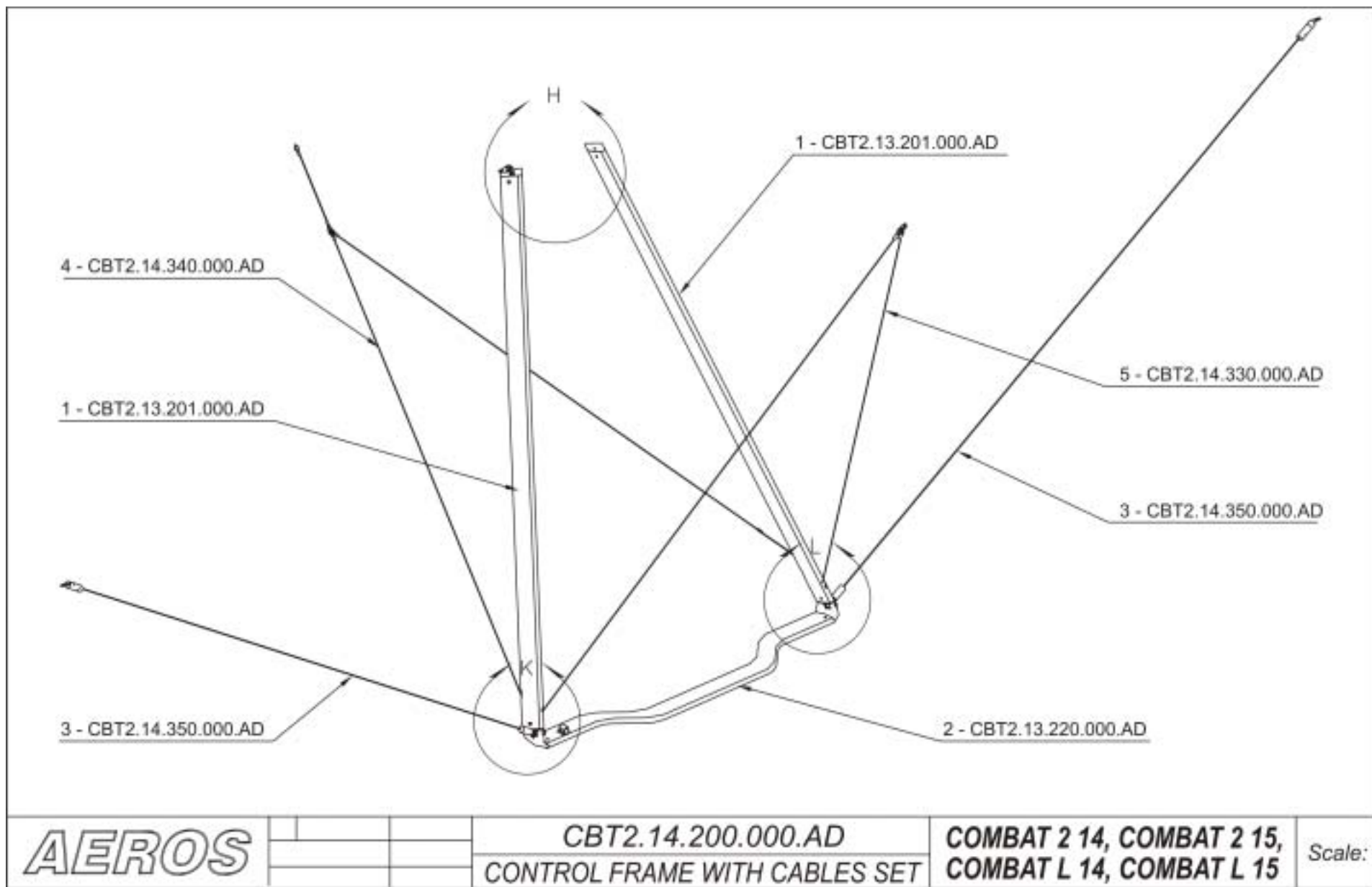
 CBT2.14.271.000.AD  
 XBAR CENTER

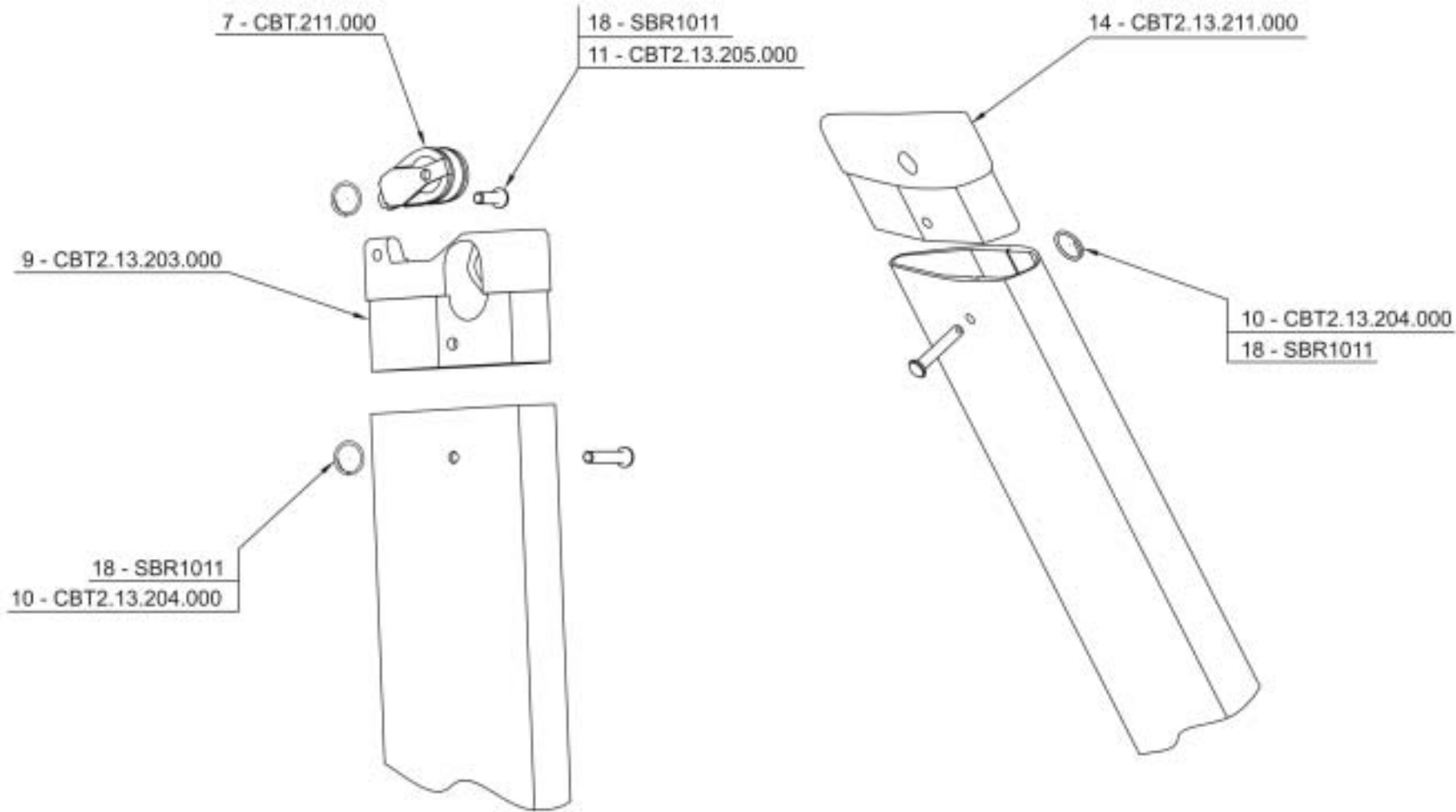
 COMBAT 2 14, COMBAT 2 15,  
 COMBAT L 14, COMBAT L 15

Scale:

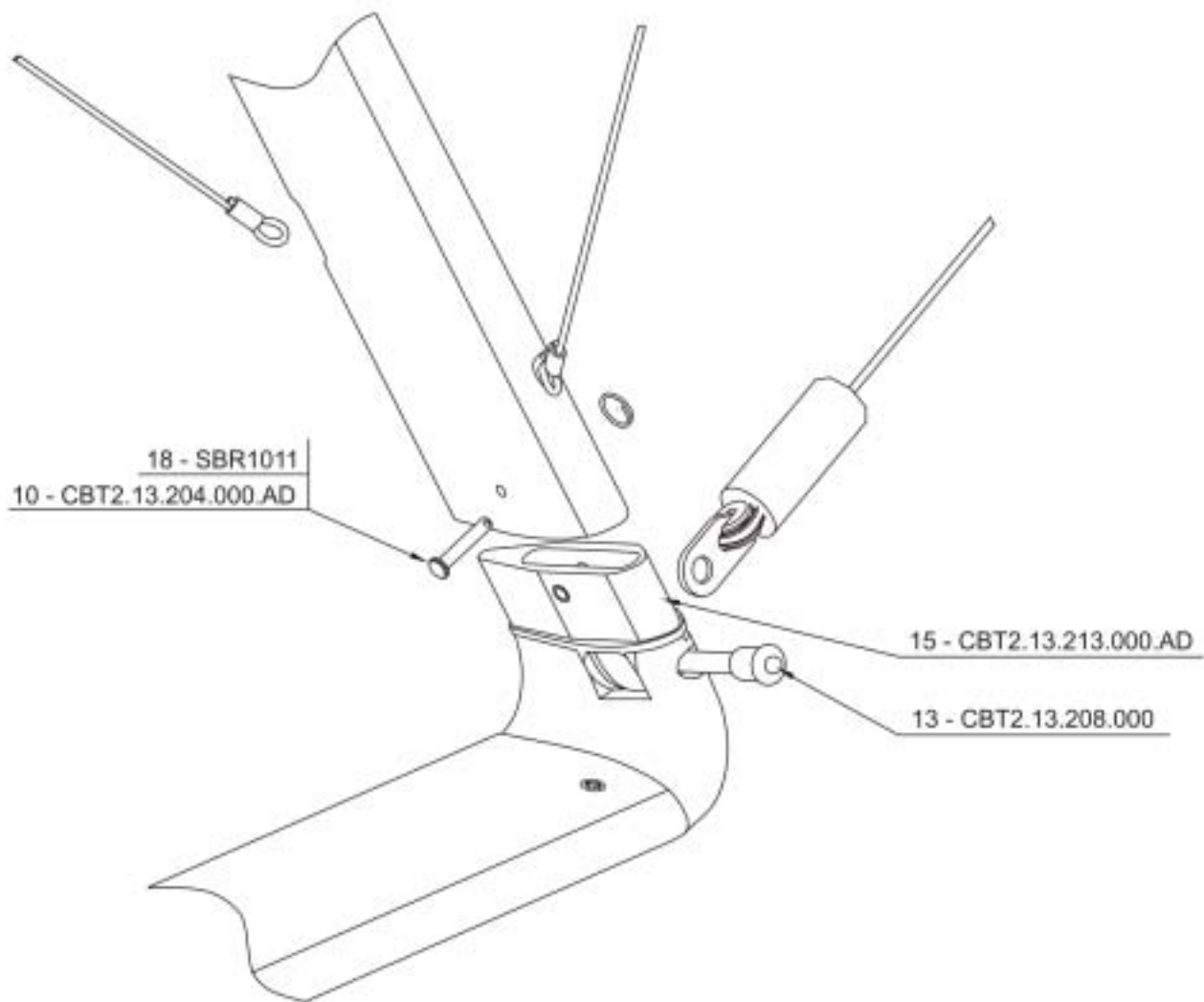








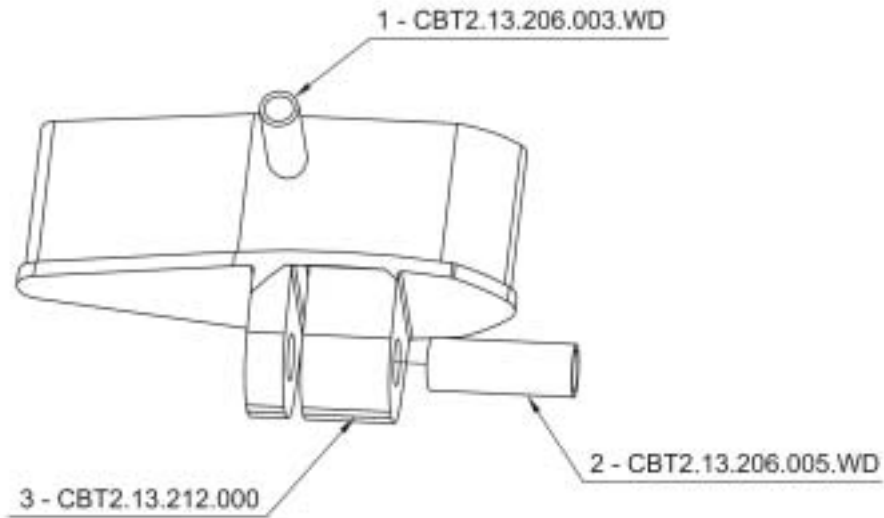
<b>AEROS</b>			CBTL.13.200.000.AD 2/4	COMBAT 2 13, COMBAT L 13, COMBAT 2 14, COMBAT 2 15, COMBAT L 14, COMBAT L 15	Scale:
			ZONE H		


**AEROS**

 CBT2.13.200.000.AD 3/4  
 ZONE L

 COMBAT 2 13, COMBAT L 13,  
 COMBAT 2 14, COMBAT 2 15,  
 COMBAT L 14, COMBAT L 15

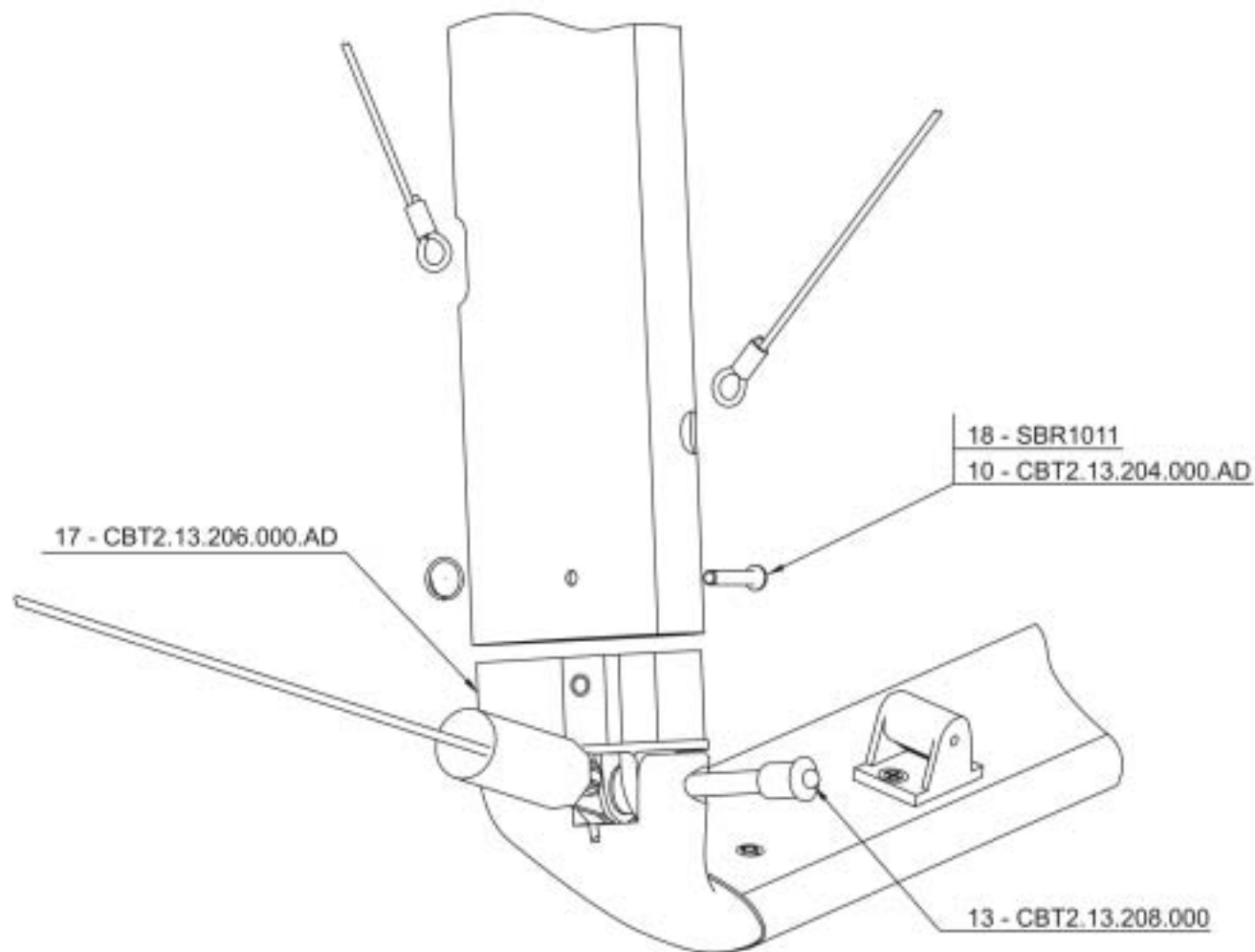
Scale:

**AEROS**

CBT2.13.213.000.AD  
ASSEMBLED LEFT BOTTOM FITTING

COMBAT 2 13, COMBAT L 13,  
COMBAT 2 14, COMBAT L 14,  
COMBAT 2 15, COMBAT L 15

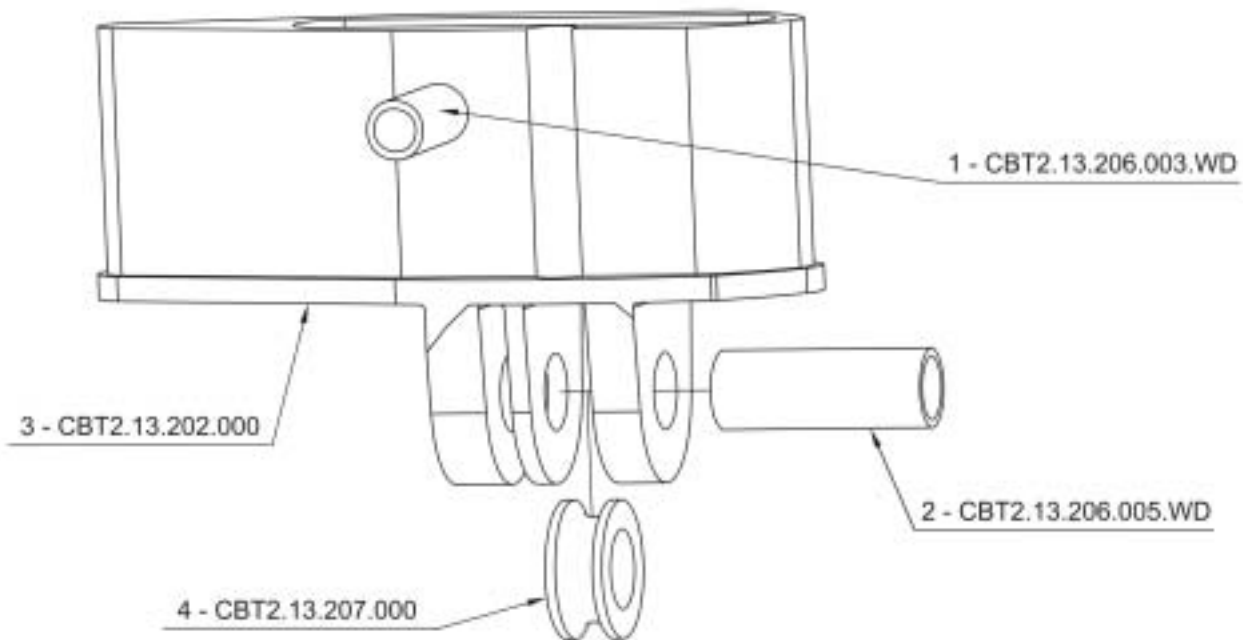
Scale:


**AEROS**

 CBT2.13.200.000.AD 4/4  
 ZONE K

 COMBAT 2 13, COMBAT L 13,  
 COMBAT 2 14, COMBAT 2 15,  
 COMBAT L 14, COMBAT L 15

Scale:

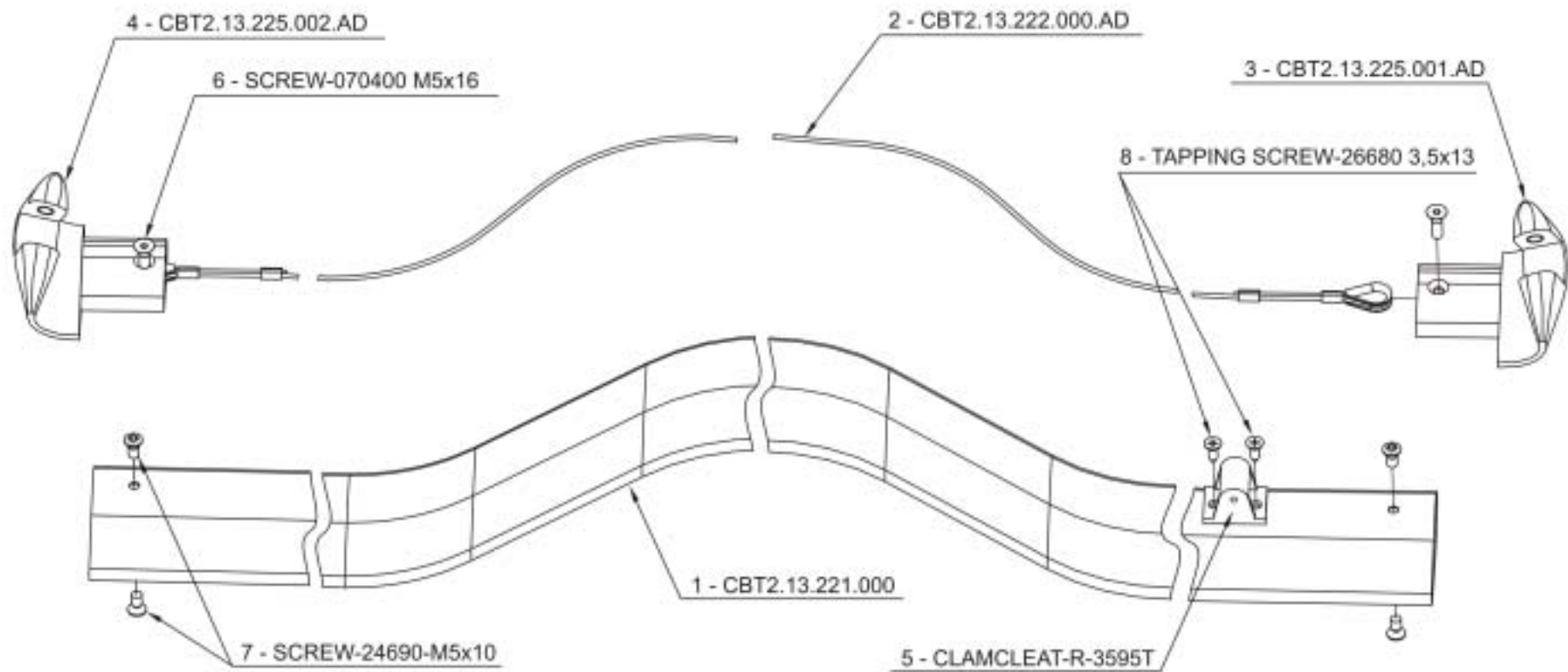


**AEROS**

CBT2.13.206.000.AD  
ASSEMBLED RIGHT BOTTOM FITTING

COMBAT 2 13, COMBAT L 13,  
COMBAT 2 14, COMBAT L 14,  
COMBAT 2 15, COMBAT L 15

Scale:



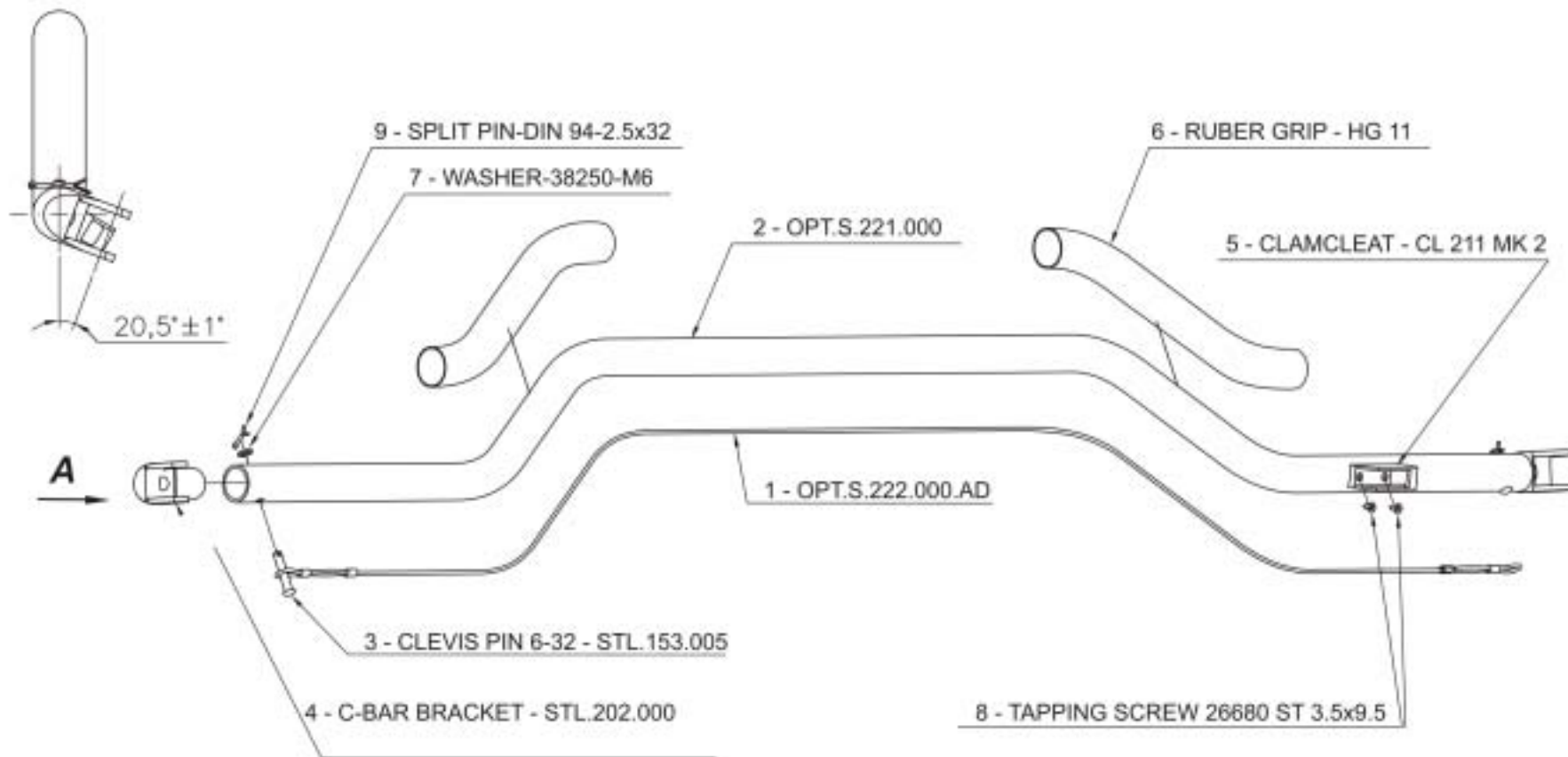
**AEROS**

CBT2.13.220.000.AD  
ASSEMBLED BASE BAR

COMBAT 2 13, COMBAT L 13,  
COMBAT 2 14, COMBAT L 14,  
COMBAT 2 15, COMBAT L 15

Scale:

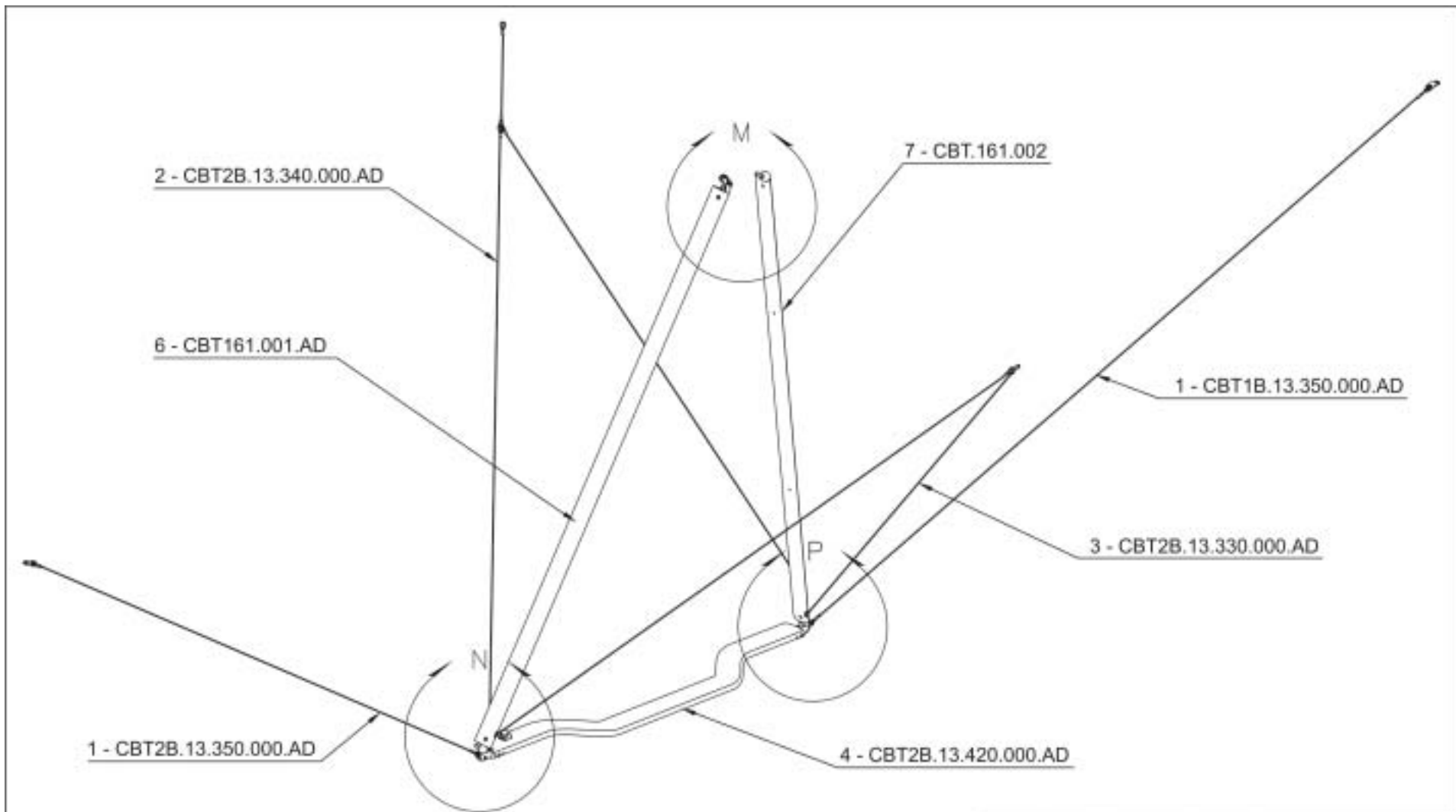
**View - A**



71

<b>AEROS</b>			OPT.S.L.220.000.AD	<b>COMBAT L 13, COMBAT L 14, COMBAT L 15</b>	Scale:
			ASSEMBLED ALU ROUND BASE BAR		

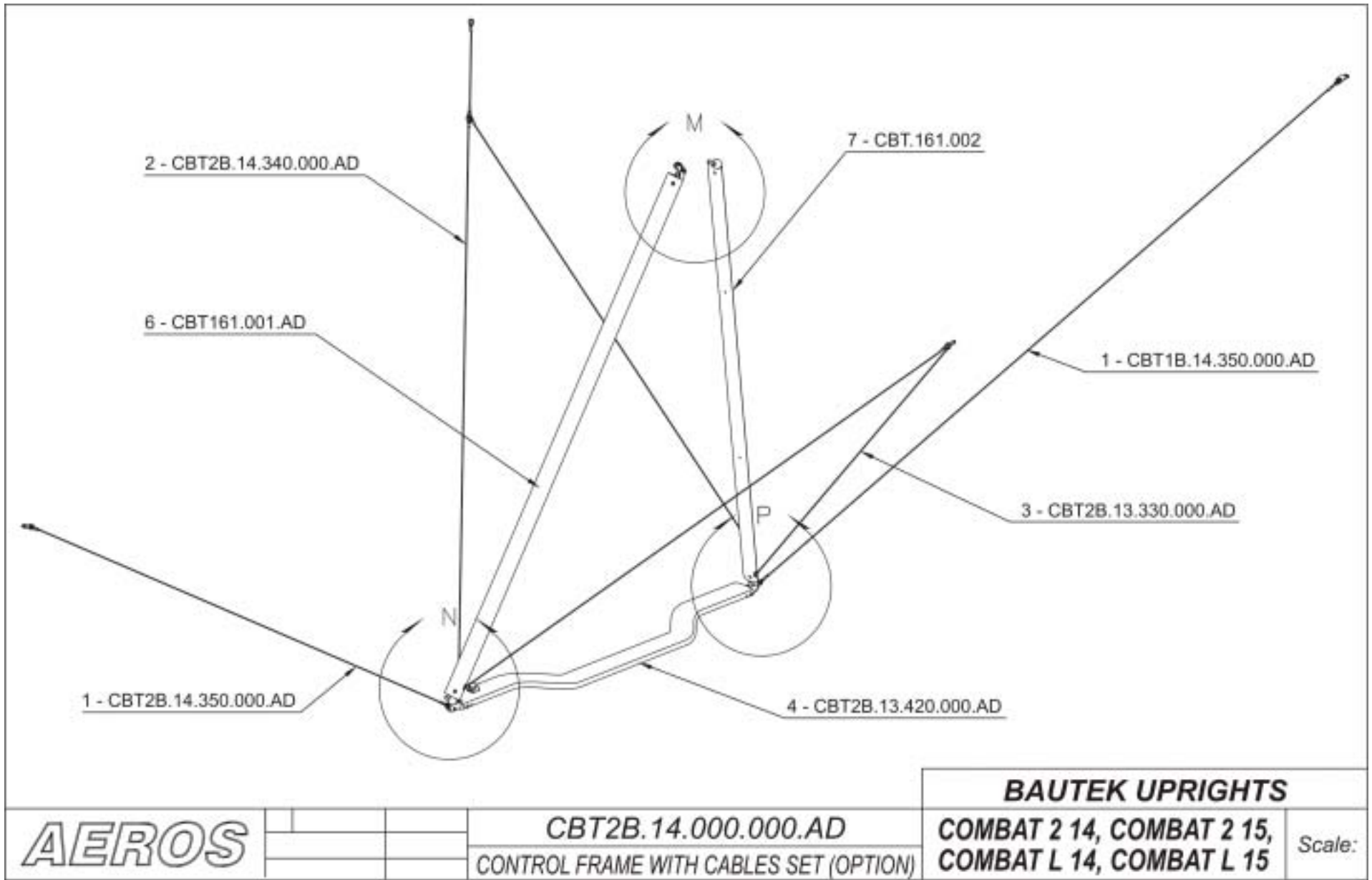


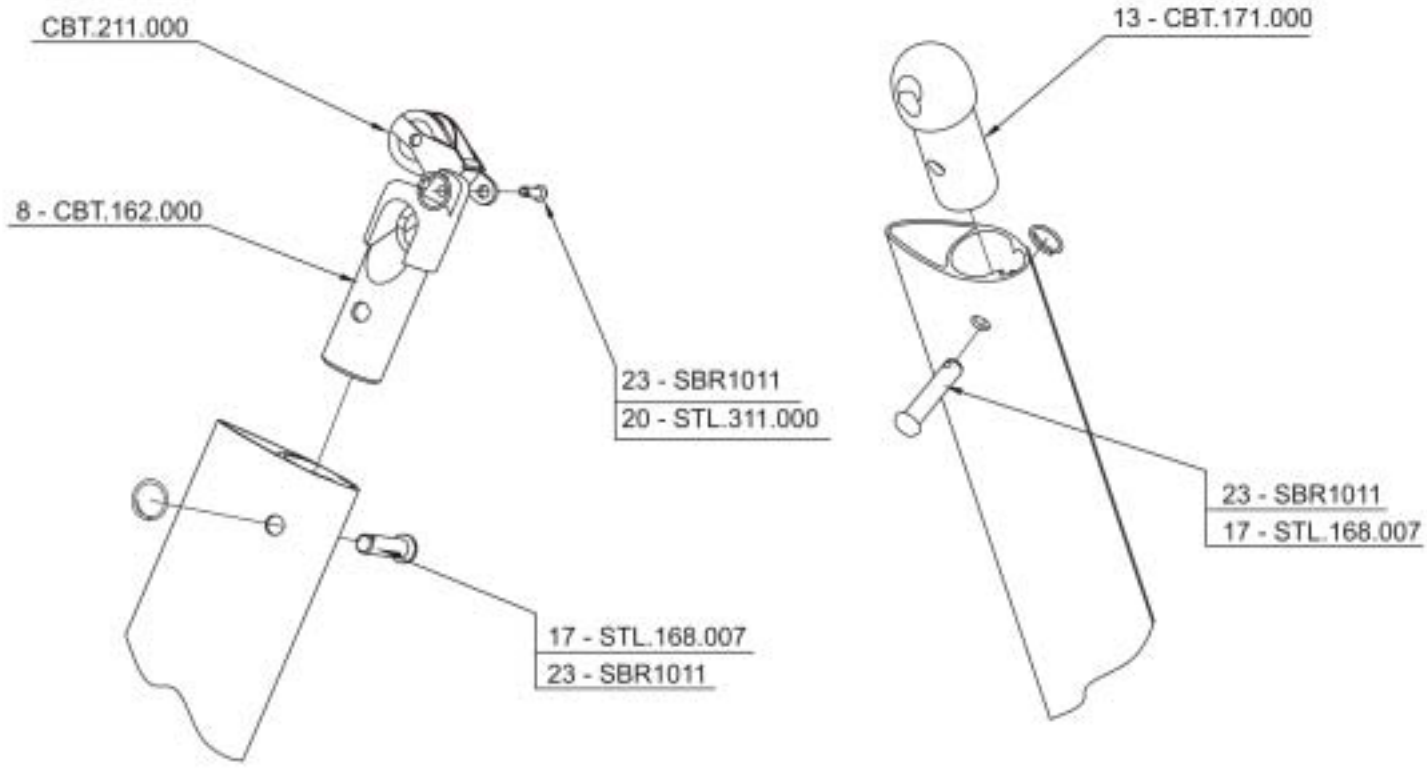


**AEROS**


CBT2B.13.000.000.AD 1/4  
CONTROL FRAME WITH CABLES SET (OPTION)

**BAUTEK UPRIGHTS**  
**COMBAT 2 13**  
**COMBAT L 13**  
Scale:

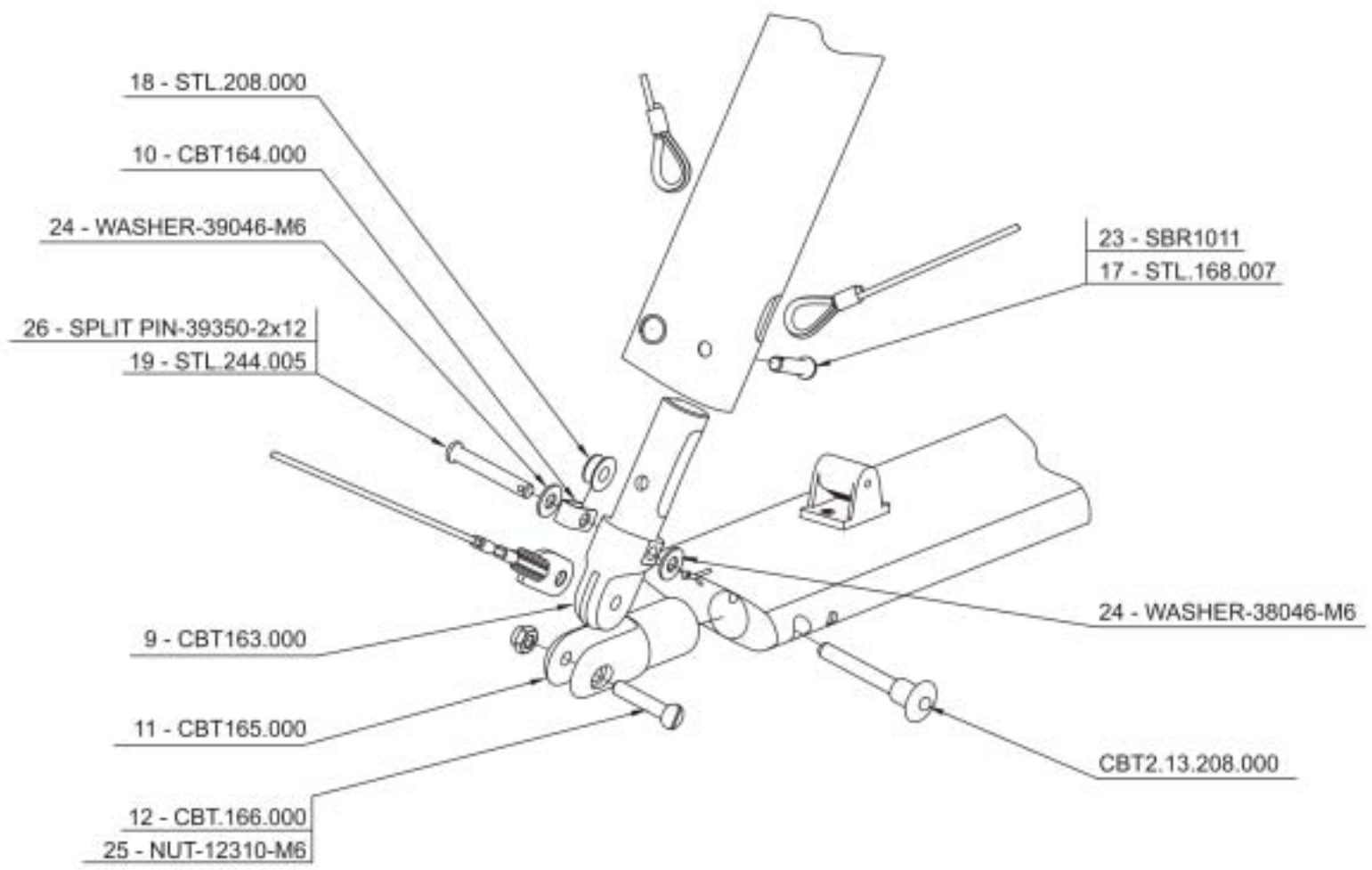




<b>BAUTEK UPRIGHTS</b>	
COMBAT 2 13, COMBAT L 13, COMBAT 2 14, COMBAT 2 15, COMBAT L 14, COMBAT L 15	
Scale:	

**AEROS**

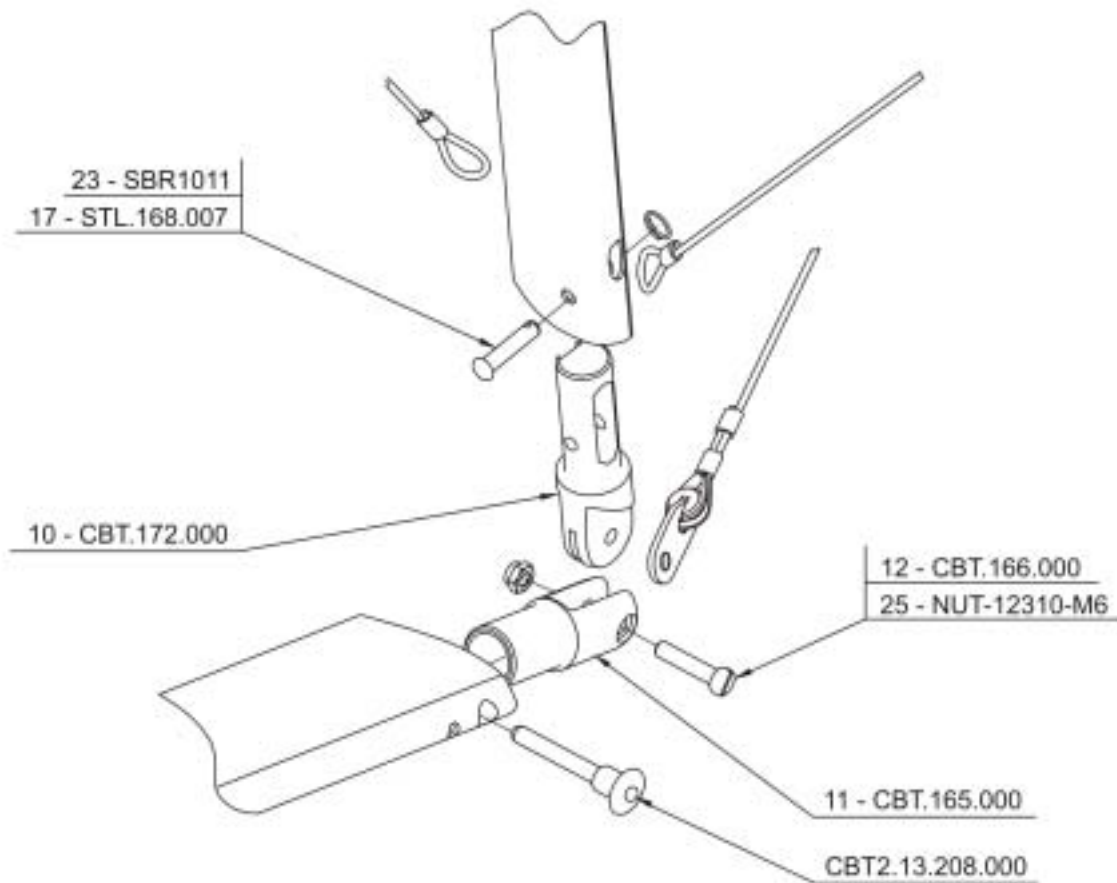

CBT2B.13.000.000.AD 2/4  
ZONE M



**AEROS**


CBT2B.13.000.000.AD 3/4  
 ZONE N

<b>BAUTEK UPRIGHTS</b>	
COMBAT 2 13, COMBAT L 13, COMBAT 2 14, COMBAT 2 15, COMBAT L 14, COMBAT L 15	
Scale:	


**AEROS**

 CBT2B.13.000.000.AD 4/4  
 ZONE P

**BAUTEK UPRIGHTS**

 COMBAT 2 13, COMBAT L 13,  
 COMBAT 2 14, COMBAT 2 15,  
 COMBAT L 14, COMBAT L 15

Scale: